



# SightLine

---

APPLICATIONS

## **EAN-Tamron Camera MP1010M**

PN: EAN-Tamron-Camera-MP1010M

10/5/2018

**Contact:**

Web: [sightlineapplications.com](http://sightlineapplications.com)

Sales: [sales@sightlineapplications.com](mailto:sales@sightlineapplications.com)

Support: [support@sightlineapplications.com](mailto:support@sightlineapplications.com)

Phone: +1 (541) 716-5137

**Export Controls**

Exports of SightLine products are governed by the US Department of Commerce, Export Administration Regulations (EAR); classification is ECCN 4A994. The [export summary sheet](#) located on the support/documentation page of our website outlines customers responsibilities and applicable rules. SightLine Applications takes export controls seriously and works to stay compliant with all export rules.

**Copyright and Use Agreement**


© Copyright 2018, SightLine Applications, Inc. All Rights reserved. The SightLine Applications name and logo and all related product and service names, design marks and slogans are the trademarks, and service marks of SightLine Applications, Inc.


Before loading, downloading, installing, upgrading or using any Licensed Product of SightLine Applications, Inc., users must read and agree to the license terms and conditions outlined in the [End User License Agreement](#).


All data, specifications, and information contained in this publication are based on information that we believe is reliable at the time of printing. SightLine Applications, Inc. reserves the right to make changes without prior notice.

**Alerts**

The following notifications are used throughout the document to help identify important safety and setup information to the user:

 **CAUTION:** Alerts to a potential hazard that may result in personal injury, or an unsafe practice that causes damage to the equipment if not avoided.

 **IMPORTANT:** Identifies crucial information that is important to setup and configuration procedures.

 *Used to emphasize points or reminds the user of something. Supplementary information that aids in the use or understanding of the equipment or subject that is not critical to system use.*



**Contents**

1 Overview ..... 1

    1.1 Associated Documents ..... 1

    1.2 SightLine Software Requirements ..... 1

    1.3 Third Party Software ..... 1

    1.4 FPGA - 1500-OEM ..... 2

2 Interface Boards ..... 2

    2.1 1500-AB Power Connection ..... 2

3 Hardware Connections ..... 3

    3.1 Hardware Bench Setup 1500-OEM ..... 3

    3.2 Hardware Bench Setup 3000-OEM ..... 4

4 Configuration Settings ..... 5

5 Camera Control ..... 7

    5.1 TCP Passthrough Setup ..... 7

    5.2 Virtual COM Port Setup ..... 8

6 Troubleshooting ..... 11

    6.1 Questions and Additional Support ..... 11

**List of Figures**

Figure 1: FPGA Version Number Location ..... 2

Figure 2: 1500-AB Board Power Connections ..... 2

Figure 3: 1500-OEM Tamron Camera Bench Setup ..... 3

Figure 4: 3000-OEM Tamron Camera Bench Setup ..... 4

Figure 5: Poor Video Quality Example ..... 11



## 1 Overview

This document describes how to install and configure the 1500-OEM and 1500-Tamron interface board with the Tamron MP1010M-VC camera.

### 1.1 Associated Documents

[EAN-Camera Compatibility](#): Lists all third-party cameras that are currently supported by SightLine software. It also covers 1500 FPGA driver support and lens control through the SightLine Command and Control (IDD) protocol.

[EAN-Digital Video Input](#): Describes how to configure the SLA-Hardware for digital video input.

[EAN-Startup Guide 1500-OEM](#): Describes steps for connecting, configuring, and testing the 1500-OEM video processing board on the 1500-AB accessory board.

[EAN-Ethernet-and-Serial-Communication](#): Describes how to set up serial communications for cameras or other payload devices from SLA-hardware.

[ICD-1500-OEM](#): Describes power requirements, thermal management, interface specifications, and connector pin-outs for the 1500-OEM.

[ICD-1500 Adapter Boards](#): Describes power requirements, thermal management, interface specifications, and connector pin-outs for the 1500-OEM associated camera interface boards.

[ICD-3000-OEM](#): Describes power requirements, thermal management, interface specifications, and connector pin-outs for the 3000-OEM.

[ICD-3000 Adapter Boards](#): Describes power requirements, thermal management, interface specifications, and connector pin-outs for the 3000-OEM associated camera interface boards.

[EAN-Lens Focus Control.pdf](#): Describes how to configure the SLA-hardware for controlling motorized lenses.

[Interface Command and Control \(IDD\)](#): Describes the native communications protocol used by the SightLine Applications product line. The IDD is also available as a local download on the [Software Download](#) page.

Panel Plus User Guide: Provides descriptions of all the settings in the Panel Plus application. (Located in the Panel Plus application in the *Help* menu.)

### 1.2 SightLine Software Requirements

The 1500-OEM requires firmware version 2.21.13 or later and FPGA firmware version 7.

The 3000-OEM requires firmware version 2.22.10 or later. REV C requires firmware 2.24.xx and higher.

**ⓘ IMPORTANT:** The Panel Plus software version should match the firmware version running on the board.

### 1.3 Third Party Software

The Tamron camera requires TMX-A001VISCA\_Ver1.08E from Tamron (contact your Tamron representative).

The Virtual Serial Port Emulator (VSPE) is available from [Eterlogic](#)



## 1.4 FPGA - 1500-OEM

Version 7 is required for the camera to operate correctly with the 1500-OEM. This information is located on the *Connect* tab. FPGA version 7 does not support other digital cameras.

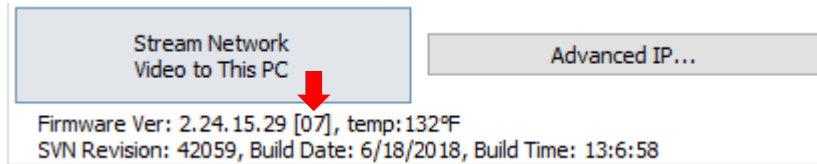


Figure 1: FPGA Version Number Location

## 2 Interface Boards

The interface board kits for the 1500-OEM and 3000-OEM come with screws, nuts, and stand-offs for connecting to the video processing boards and the camera. See the [ICD-1500 Adapter Boards](#) and [ICD-3000 Adapter Boards](#) for connector information.

*The Tamron and Sony block cameras share the same camera interface board.*

**IMPORTANT:** The 1500-OEM board and the Tamron board should be connected first before connecting to the camera and 1500-AB board.

### 2.1 1500-AB Power Connection

REV H and later 1500-AB boards have a single power switch. REV E and earlier boards have a dual power switch. REV H and later boards are immediately powered on when power is connected. If using the 1500-AB board in a bench setup, review [Figure 2](#) and [Figure 3](#) prior to making power connections.

- ⚠ **CAUTION:** Power to the 1500-OEM board is provided through the 1500-Tamron interface board using the SLA-PWR-B12V power supply shown in [Figure 3](#). Powering the OEM through the J3 power pins and through the 1500-Tamron board can damage the OEM.
- ⚠ **CAUTION:** DO NOT power up the 1500-OEM board from the 1500-AB interface board. The power switches should be set to the positions shown in [Figure 2](#) (AB board power ON / 1500-OEM power OFF). Long term over powering will permanently damage the 1500-OEM board.

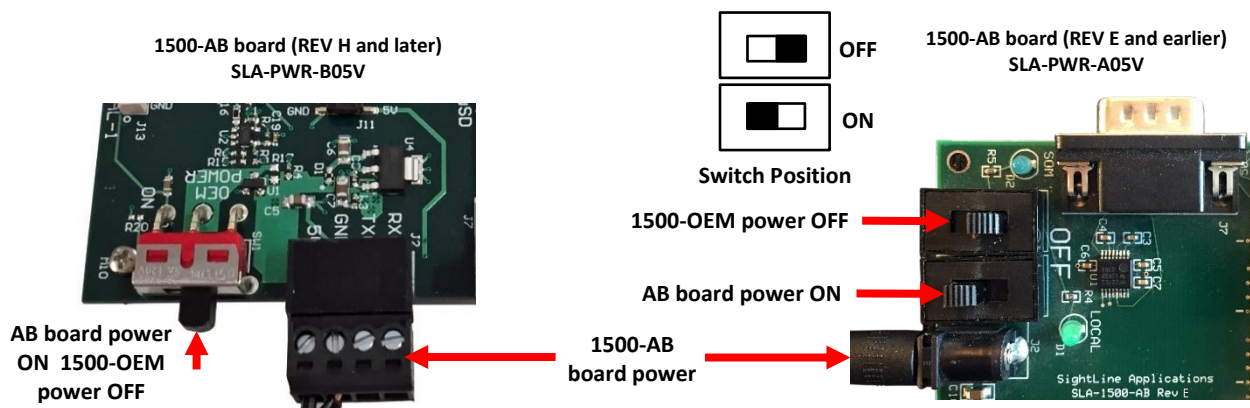


Figure 2: 1500-AB Board Power Connections



### 3 Hardware Connections

#### 3.1 Hardware Bench Setup 1500-OEM

This section describes the connection for the 1500-OEM and the 1500-Tamron interface board to the supporting components.

The 1500-AB board is used as the serial and network interface board. The digital IO connector on the Tamron camera connects to the 1500-Tamron board with a KEL cable. The connector provides serial communication to the camera in addition to the digital video. This serial connection shows up as Serial 2 through the 1500-OEM and allows access to the lens control tools in Panel Plus. Serial 2 can also be configured for TCP passthrough to use the Tamron command-and-control interface directly with the camera.

1. Connect SLA-CAB-1514 Molex cable to the 1500-OEM J3 (14-pin) connector and to the 1500-AB J3 (14-pin) connector. This provides analog video, network, and serial connections to the 1500-OEM.
2. Connect a network cable to the 1500-AB Ethernet port.
3. Connect the SLA-CAB-K010 (KEL) cable to the 1500-Tamron interface board and the Tamron camera. The gold contacts on the KEL cable ends must be facing up for both connections.
4. Connect the SLA-PWR-B12V to the J2 Pin on the 1500-Tamron using the SLA CAB-1504 power adaptor cable.
5. Connect the SLA-PWR-B05V to the 1500-AB board. This 5V power is only required if supporting the analog input/output and Serial 0 connections. Plug in the AB board PWR-B05V to an AC power source.

REV H and later AB boards are immediately powered on when power is connected.

6. Connect the SLA-PWR-B12V supply (12V) to an AC power source. This will power the camera, Tamron adaptor board and the OEM assembly. **Do not** apply power the 1500-OEM from the AB board (see Figure 2).

**ⓘ IMPORTANT:** Do not attach the 1500-OEM and Tamron adapter board to the 1500-AB board. They should remain separate.

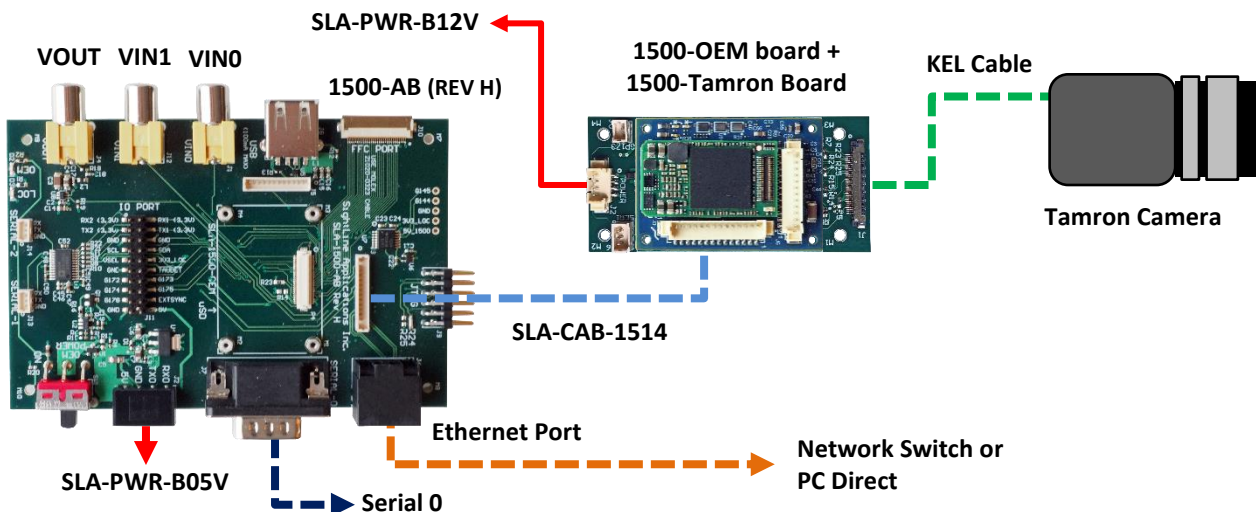


Figure 3: 1500-OEM Tamron Camera Bench Setup




### 3.2 Hardware Bench Setup 3000-OEM


This section describes the connections for the 3000-OEM and the Tamron interface board to the supporting components and equipment.

The 3000-IO board provides power to the camera through the Tamron interface board. It is supplied via the KEL cable that is used between the interface board and the camera. The camera's serial communications port is also available over this same KEL cable. Serial passthrough is supported by the 3000-OEM board to allow connection to the camera from a network controlling host.

1. Attached the 3000-IO board to the 3000-OEM board.
2. Attach the 3000 Tamron interface board to one of the available video input connectors on the 3000-IO board. The 3000-IO board has two connectors for the Tamron board (VIN1 and VIN0). See the [3000-OEM](#) exploded assembly drawing for more physical connection layout information.

 *On the 3000-IO board, VIN0 has camera channels 0 and 1 assigned. VIN1 has camera channels 2 and 3 assigned. The 3000-IO board supports installing the 3000-Tamron camera interface board onto either of these connectors. If the configuration includes an analog board with a digital interface board, the analog board must be installed onto VIN0.*

3. Connect the SLA-CAB-K010 (KEL) cable to the 3000-Tamron interface board and the Tamron camera.

 **IMPORTANT:** The gold contacts on the KEL cable ends must be facing up for both connections.

4. Connect the Ethernet, serial, and power cables to the 3000-IO board.
5. Plug in the power adapter (SLA-PWR-C12V) to an AC power source. A green light on the 3000-IO board indicates that all boards are powered on.

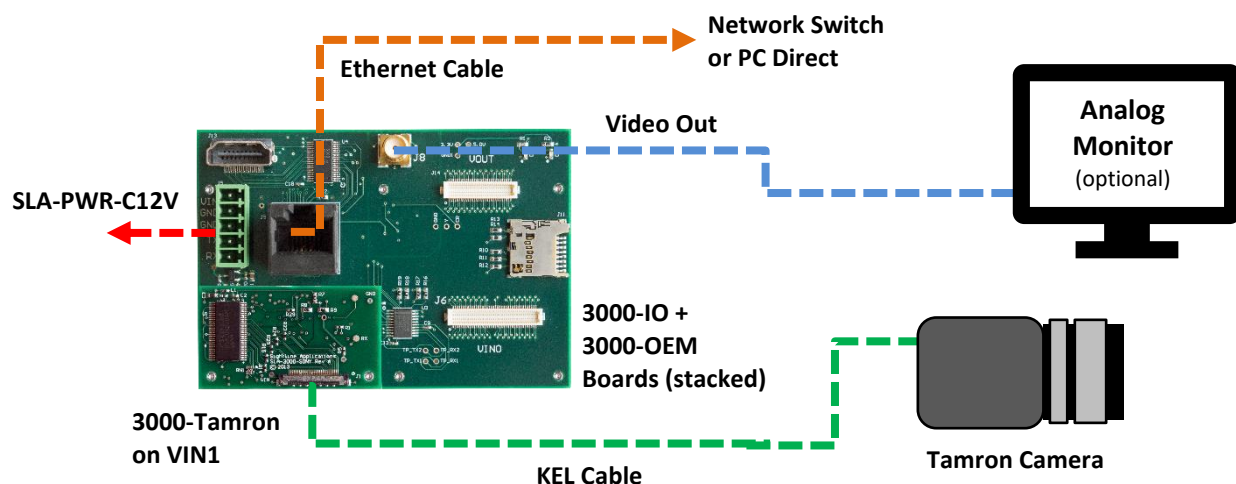


Figure 4: 3000-OEM Tamron Camera Bench Setup



## 4 Configuration Settings

This section covers how to configure the video processing board to support the Tamron camera input. The 3000-OEM and 1500-OEM configuration procedures are similar. The following steps reference the Panel Plus software.

1. Connect to the board using the Panel Plus application. See the [1500-OEM Startup Guide](#) or the [EAN-Startup Guide 3000-OEM](#) for connection instructions.
2. From the main menu » *Configure* » *Acquisition Settings*. Set the *Camera Index*, *Camera Type* and *Frame Step* as shown in step 4 (1500-OEM), or step 5 (3000-OEM). The *Apply* button will turn red indicating input field changes have been detected.
3. Select *Tamron MP1010 720P* in the *AutoFill* drop down menu. This populates the relevant fields with the correct settings.
4. 1500-OEM (720p):

- a. Click the *Apply* button and close the *Acquisition Settings dialog* window.
- b. From the *Connect* tab, select *Network* and *Cam 2*. This enables video to display in Panel Plus. Click *Stream Network Video to This PC*.

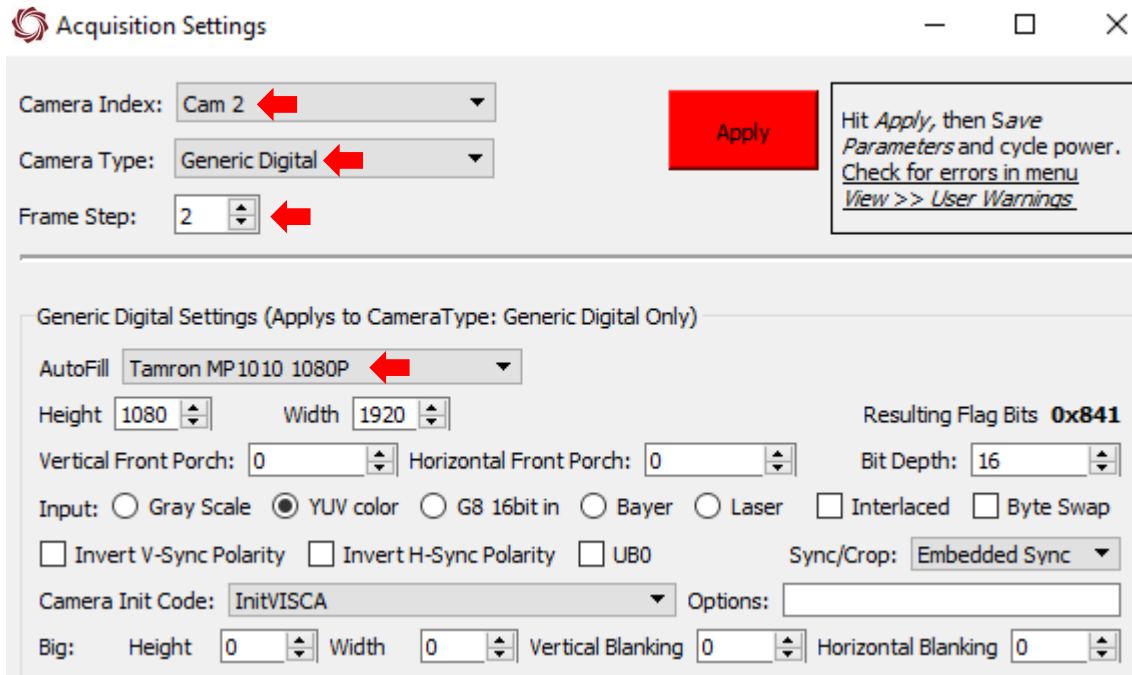
- c. Proceed to step 6.



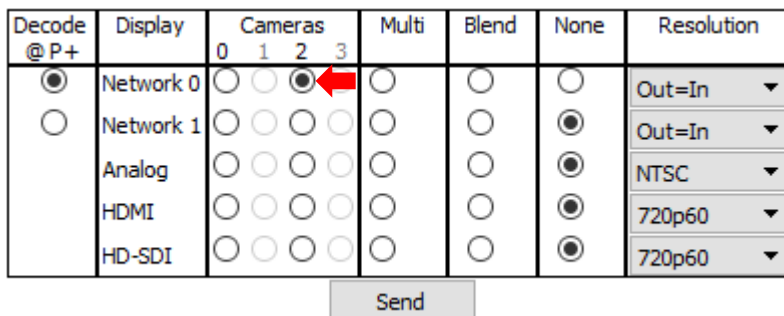


5. 3000-OEM (1080P):

In the following example, the 3000-Tamron board is connected to the VIN1 input connector on the 3000-IO board. If the 3000-Tamron board is connected to VIN0, the camera index is Cam0 and the Serial Port 2.



- a. Click the *Apply* button and close the *Acquisition Settings dialog* window.
- b. Select the *Multi Camera* tab. Select *Network 0* and *Camera 2*. This enables video to display in Panel Plus. If the 3000-Tamron board is connected to VIN0, select *Camera 0*.
- c. Click the *Send* button to save the settings to the parameter file.



6. Save and activate the settings:

- a. Main menu » *Parameters* » *Save to Board*.
- b. Main menu » *Reset* » *Board*.
- c. Wait for the system to boot, and then reconnect to the board. Make sure the board connects.



## 5 Camera Control

This section describes how to set up a TCP passthrough and virtual COM port to allow camera control through the Tamron GUI. The Virtual Serial Port Emulator (VSPE) from [Eterlogic](#) is used to set up a virtual COM port.

Alternately, the lens focus and zoom can be controlled through Panel Plus, see the [EAN-Lens Focus Control](#) document for steps on how to set this up.

*Enabling TCP Passthrough will disable the Lens Control through Panel Plus. If using lens control through Panel Plus, the Protocol field in Serial Port Settings must be set to Port Not Used.*

### 5.1 TCP Passthrough Setup

Set up a passthrough on the SLA board.

1. From the Panel Plus main menu » *Configure* » *Serial Ports*.
  - a. 3000-OEM: Select the serial port number. If the camera interface board is connected to VIN1, select *Serial Port 3*. If the interface board is connected to VIN0, select *Serial Port 2*.

*In this example the 3000-Tamron board is connected to VIN1.*

- b. 1500-OEM: Select *Serial Port 2*.
- c. For *Protocol*, select *TCP Pass Through*.
- d. Other settings should include the *Inbound Port*, *Baud rate*, *Data*, *Stop*, and *Parity Bits*.

Serial Ports Settings

Port: Serial Port 2

Protocol: TCP Pass Through

Baud: 9600 Max Length: 127

Data Bits: 8 Max Delay: 100

Stop Bits: 1 Inbound Port: 4001

Parity: None Destination Port: 0

Destination IP: 192.168.0.25

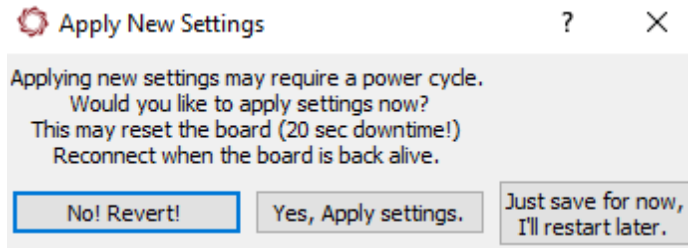
Destination port and IP determined from TCP protocol

Save



- After configuring the settings, changed fields will be highlighted in red. click *Save*.

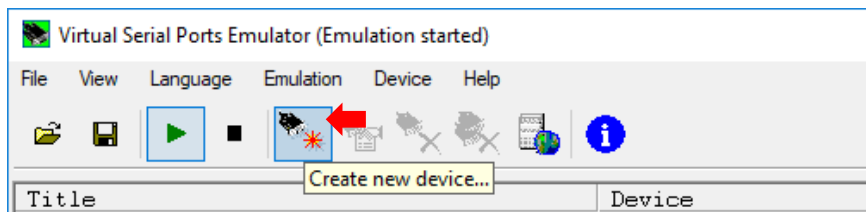
*Some setting changes require the board to be restarted for the settings to take effect. In the Apply New Settings dialog window, choose one of the following options.*



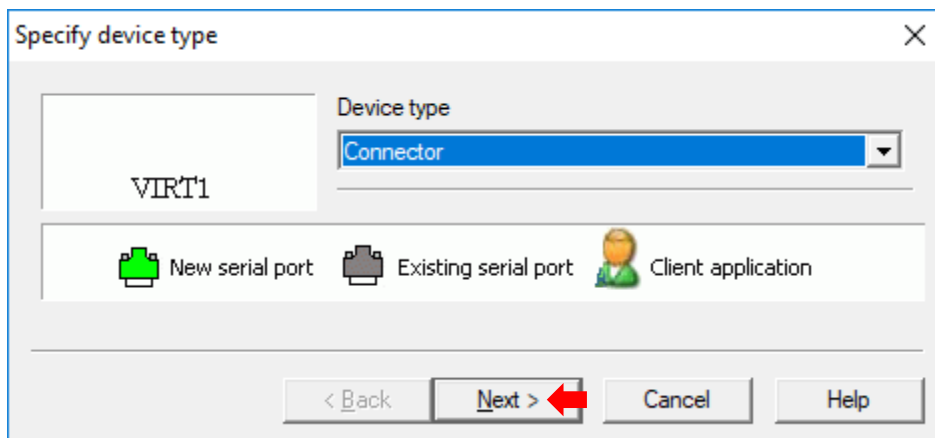
- Proceed to the next section to set up a virtual COM port.

## 5.2 Virtual COM Port Setup

- Start the Virtual Serial Ports Emulator from Eterlogic to set up a virtual COM port.
- From the main VSPE interface, click on the *Create new device...* icon.

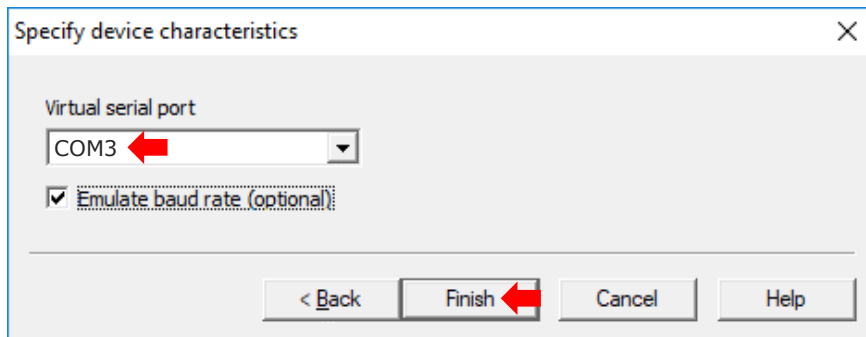


- Under Device type select *Connector*. Click *Next*.

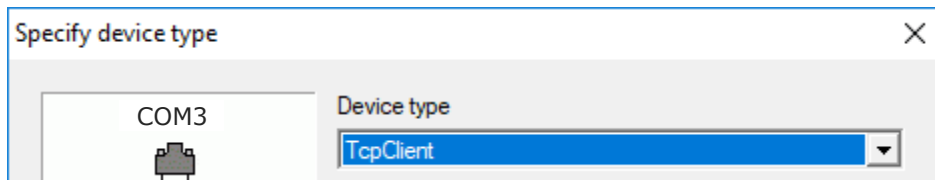




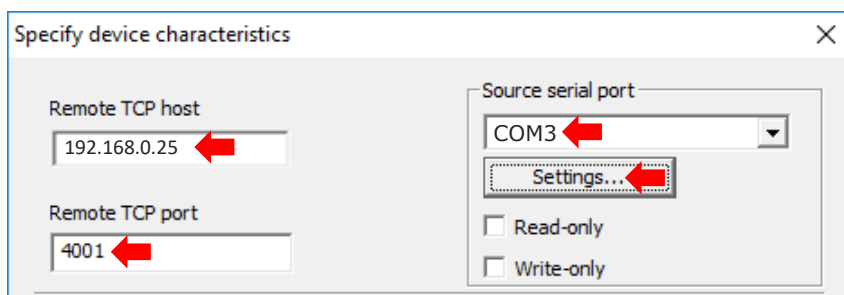
- Assign a serial port number to the device. Use COM3 or higher since COM1 and COM2 may already be in use. Select the *Emulate Baud Rate* option. Click *Finish* when done.



- From the main VSPE interface, click on the *Create new device...* icon.
- Under *Device type* select *TcpClient*. Click *Next*.

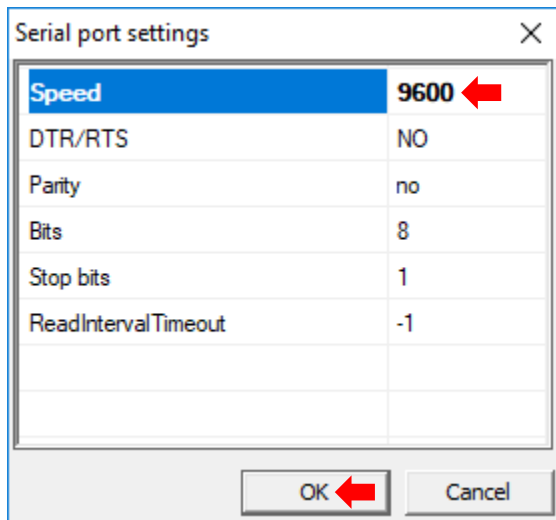


- In the *Specify device characteristics* dialog window, enter the following settings:
  - Remote TCP host: *Enter SLA board IP address*
  - TCP port: *4001*
  - Source serial port: *COM3*
- Click the *Settings* button.

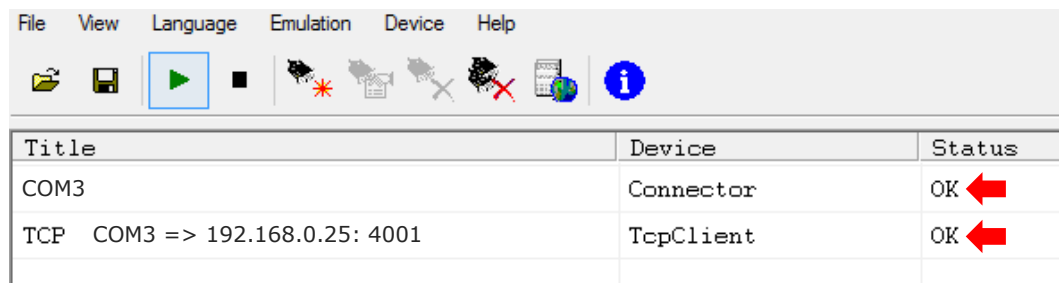




9. In the *Speed* dropdown menu select 9600 baud rate. Click OK.



10. Click *Finish* when done. The main VSPE dialog window should show the following configuration.



11. Start the Tamron camera control application. Select *COM3* and *9600* baud rate options.

12. Click *OK*. The Tamron camera control application is now ready to use.



## 6 Troubleshooting

For additional troubleshooting information see [EAN-Troubleshooting-Comms](#).

Problem	Possible Cause	Solution
<b>No video output, video is black, etc.</b>	Incompatible display	Try a known working input source (camera or DVD player, monitor) to verify that the display is working.
	No video source	Verify the camera (or other source) is functioning by connecting it directly into the display.
	No power to SLA hardware	Verify correct voltage (5V or 12V depending on unit) Look for status lights on the board (non-enclosure units)
	Wrong input source selected	Use Panel Plus to set the camera order.
	Analog Video Out disabled	System was configured for network output only. Use Panel Plus to enable NTSC output.
<b>Video appears blue (or other color). Image is scrolling, etc.</b>	Video synchronization	Unplug the video source and plug it back in. Cycle power to the SLA hardware after the video source is connected. Try a different video source. Verify video source by plugging it directly into a display. Configure the camera to generate a smaller video frame. Long cables can change video timing and result in poor video quality. Use a shorter KEL cable (10 cm recommended).



Figure 5: Poor Video Quality Example

### 6.1 Questions and Additional Support

For questions and additional support, please contact [Technical Support](#). Additional support documentation and Engineering Application Notes (EANs) can be found on the Support pages of the SightLine Applications [website](#).