



## **SLA-1500-ENC Interface Control Documentation**

**DATE:** November 18, 2015

**Part Number:** ICD-SLA-1500-ENC

Copyright © 2013-2015 SightLine Applications, Inc.

Hood River, OR 97031

## Overview

Document describes the SLA-1500-ENC product line.



*Illustration 1: SLA-1500-ENC*

## Board Summary

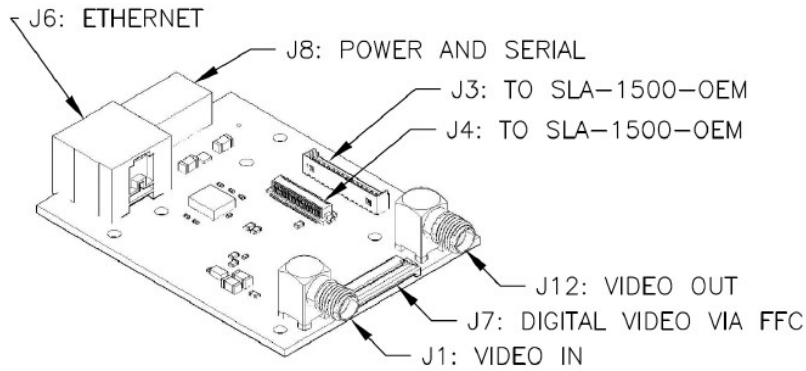
<b>Dimensions</b>	3.015" x 2.249" x 1.029"
<b>Weight</b>	~113 grams
<b>Power</b>	5 VDC @ 330 mA
<b>Component Temp Range</b>	-40°C to 85°C <sup>1</sup>
<b>Current Revision</b>	<b>D2</b>

*Table 1: SLA-1500-ENC Physical Characteristics*

**WARNING:** SightLine recommends that all SMA connectors be hand-tightened only.

<sup>1</sup> Available in most configurations

## Connectors



*Illustration 2: SLA-1500-ENC Cutaway*

### REVISION D

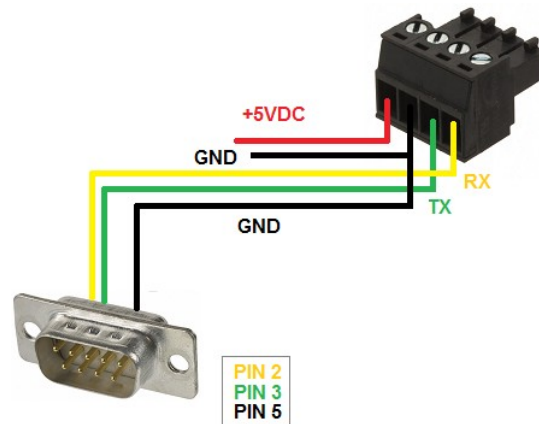
Label	MFG Part Number	Function	Mates with...
J1	CON SMA002	Analog Video Input	Standard SMA
J12	CON SMA002	Analog Video Output	Standard SMA
J6	1-406525-1	Ethernet	Standard CAT-5e cable
J8	39506-1004	Power, RS-232C	<a href="#">MOLEX 039500-0004</a>
J7	FH12-30S-0.5SH(55)	Digital Video	Molex 21020-0323

## Connector J8: Power + RS-232

3.5MM TERM BLOCK PLUG STR 4POS [MOLEX 039500-0004](#)

Please use with **SLA-PWR-B05V** power supply or similar.

Pin	Signal	Description
1	Power	4.5V – 5.5V DC
2	GND	Ground
3	TX	RS-232C level serial port.
4	RX	Share ground with PIN 2.



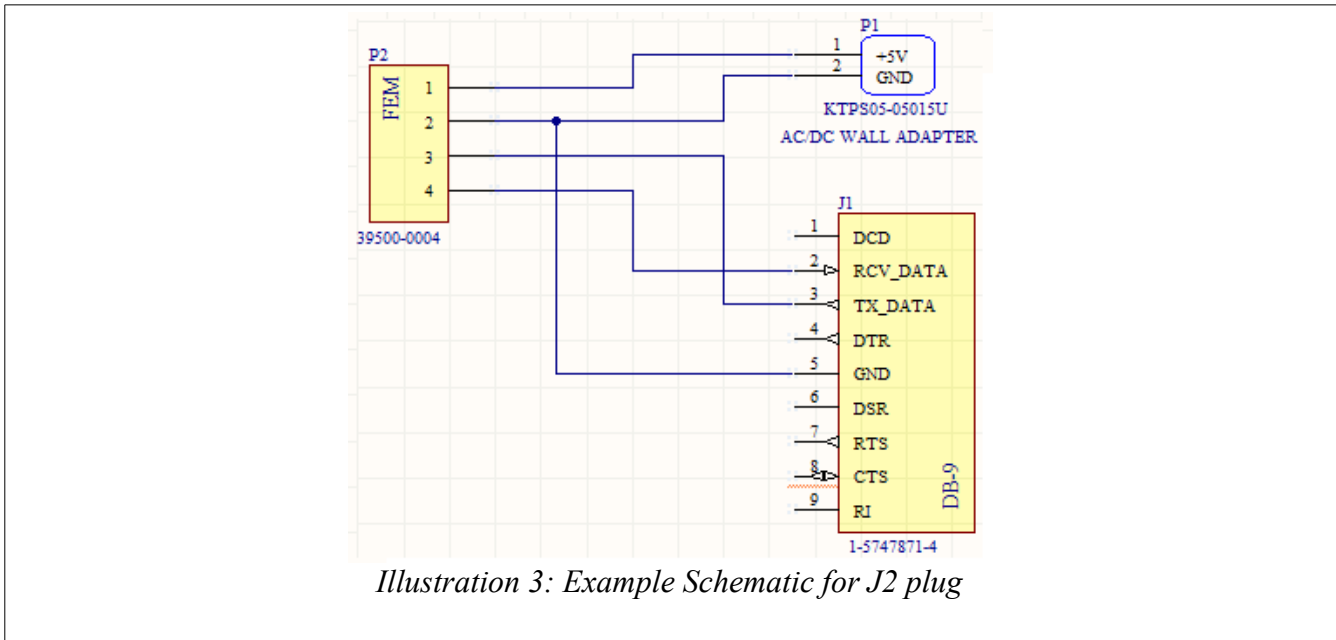


Illustration 3: Example Schematic for J2 plug

### Connector J6: 10/100 Base-T Ethernet

Provides 10/100Base-T access using a standard Ethernet modular jack.

Pin	Signal	Description	Pin	Signal	Description
1	TX+	ORANGE + WHITE	5	NC	
2	TX-	ORANGE	6	RX-	GREEN
3	RX+	GREEN + WHITE	7	NC	
4	NC		8	NC	

### Socket S1: MicroSD (internal)

- Push In, Push Out
- 10,000 Mating Cycles
- 3.3mm card eject length
- Works with most Micro SD cards

### Connector J12: Analog Video Output

Analog video output.

### Connector J12: 802.11n (WiFi) antenna [ALTERNATE]

Special versions of the product may be purchased which provides WiFi access in place of Analog Video Output. Contact your Sales Representative for more information.

**Connector J1: Analog Video Input**

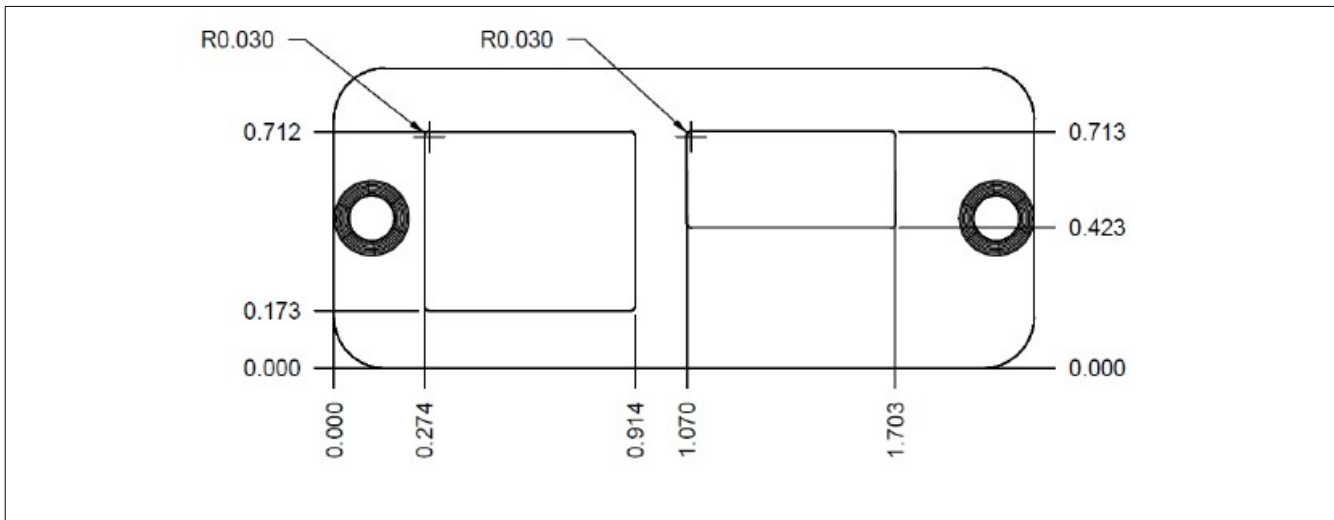
Analog video input.

**Connector J7: Digital Video**

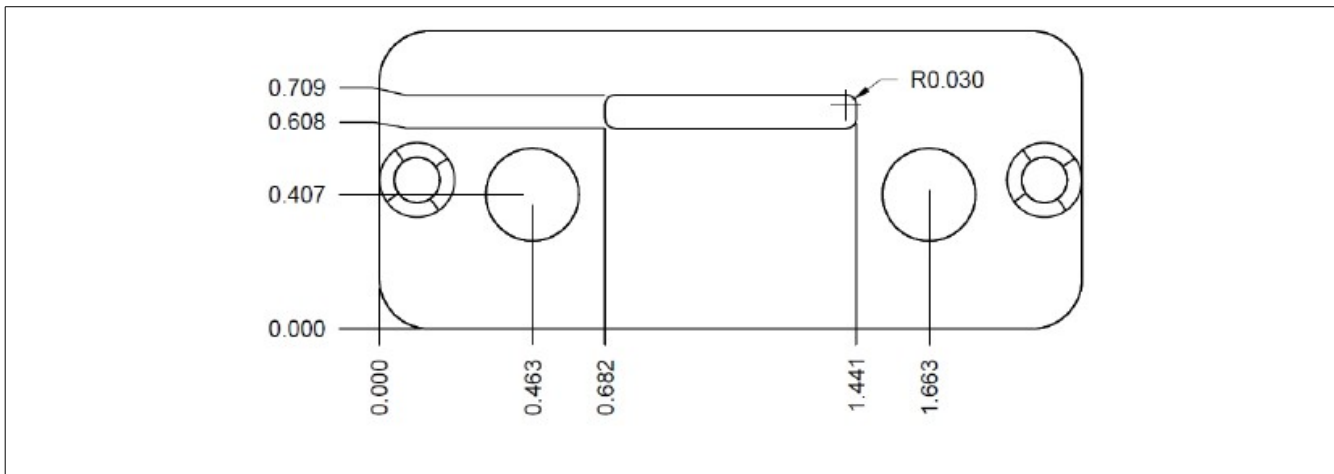
Some units come equipped with an FFC cable which allows the unit to connect to SightLine's FFC adapter boards for digital video cameras (SLA-FFC-xxxx).

**Enclosure Dimensions**

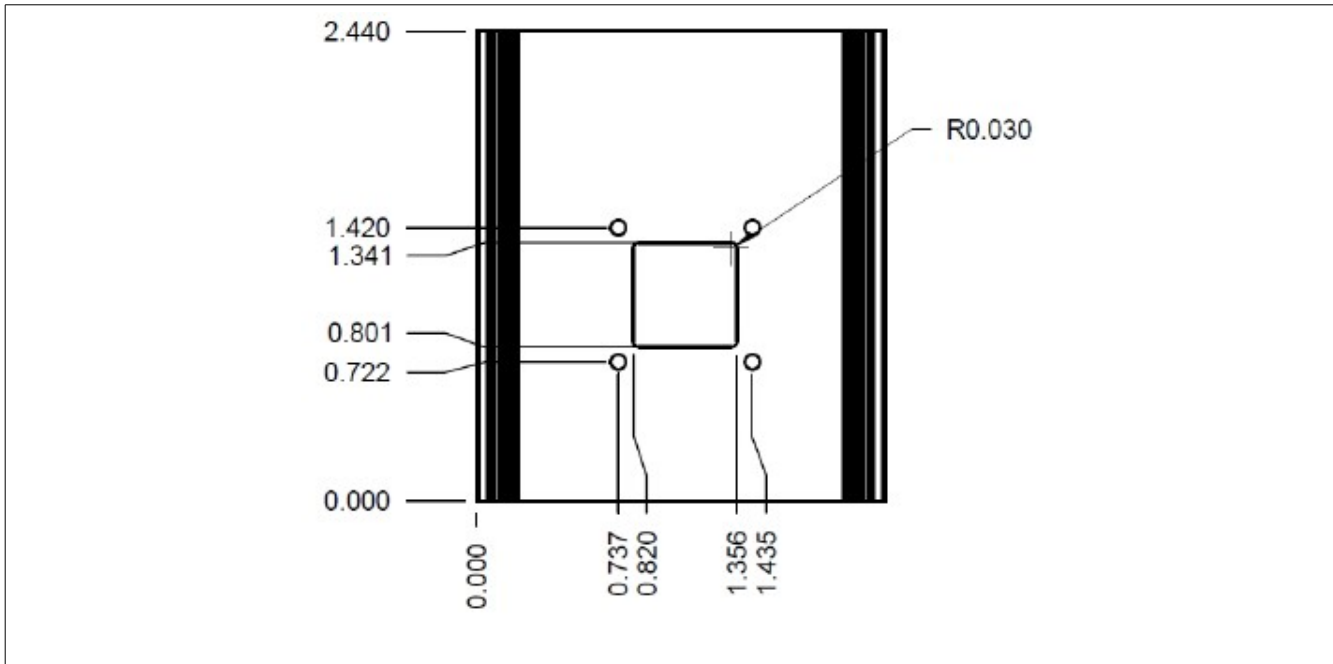
**SLA-1500-FPLT**



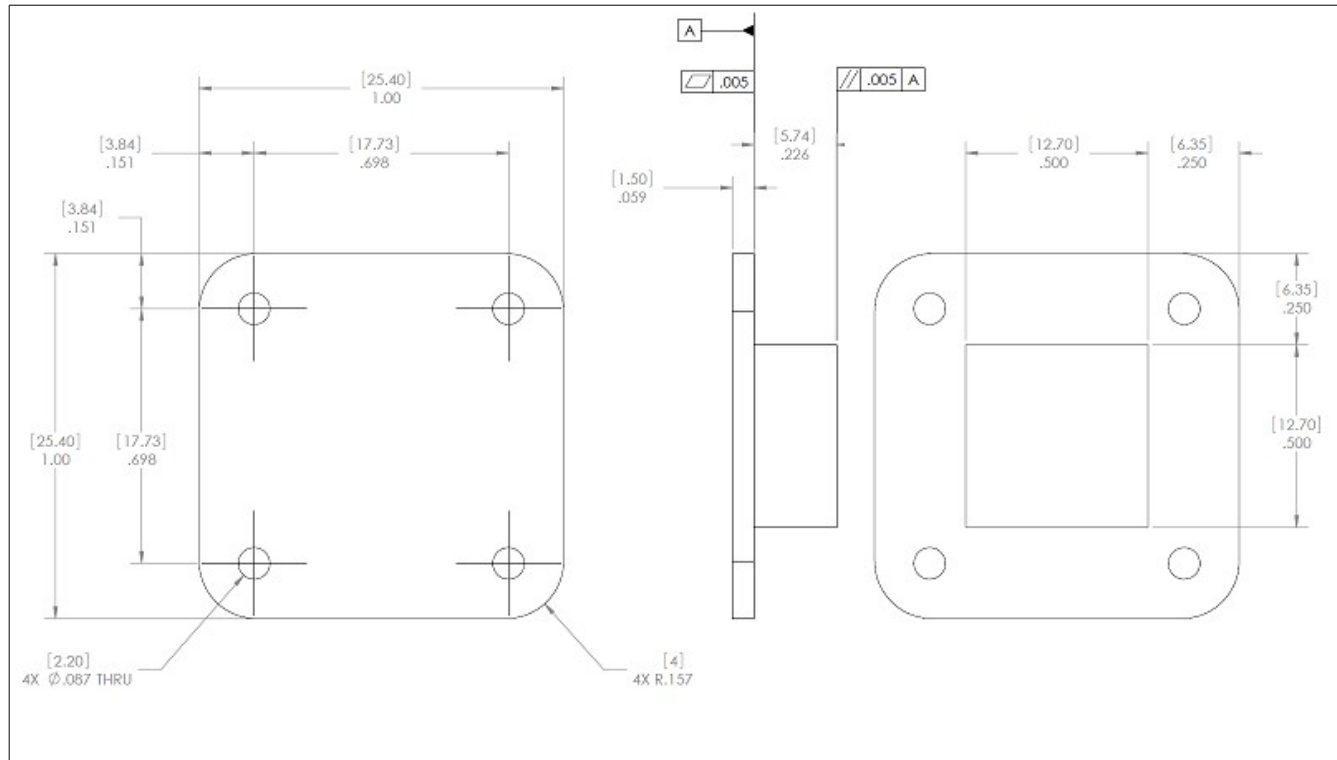
**SLA-1500-SLOTPLT**



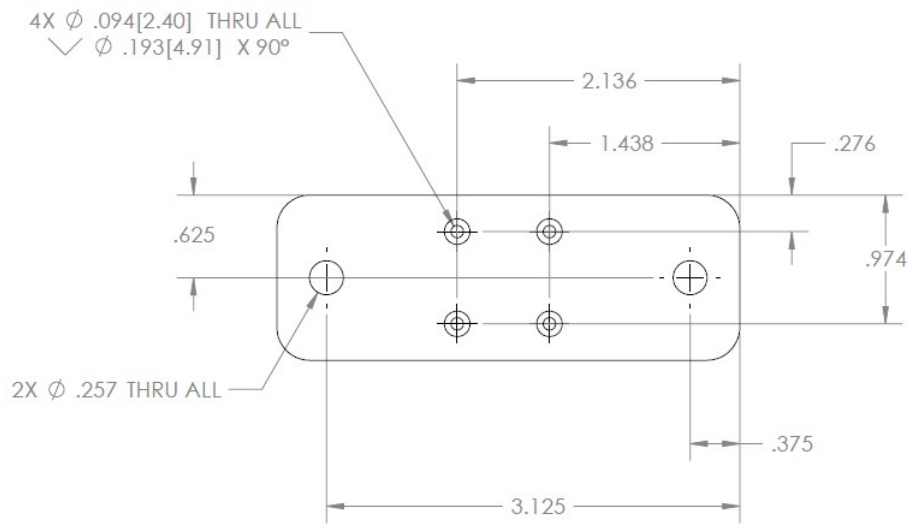
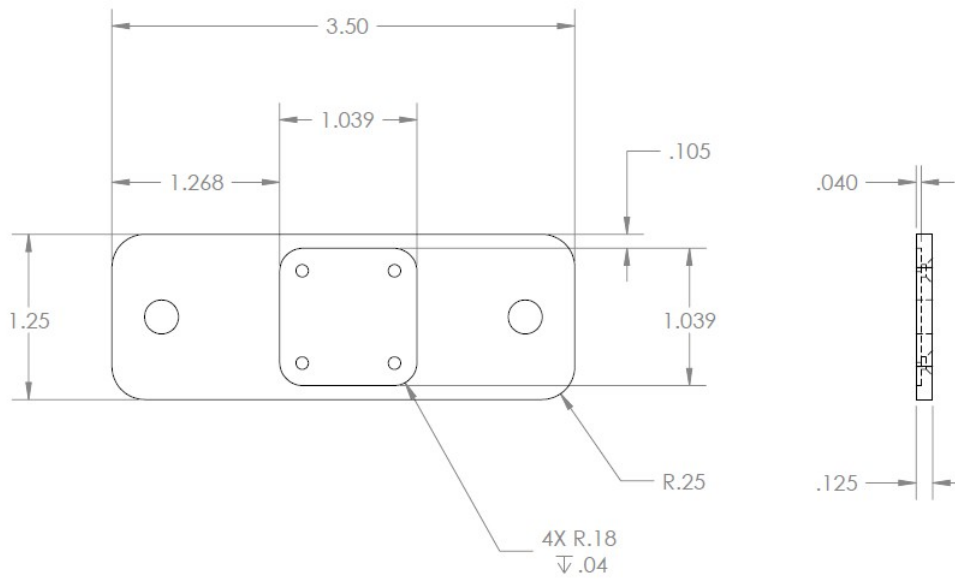
**SLA-1500-BOX**



# Simple Heat-sink

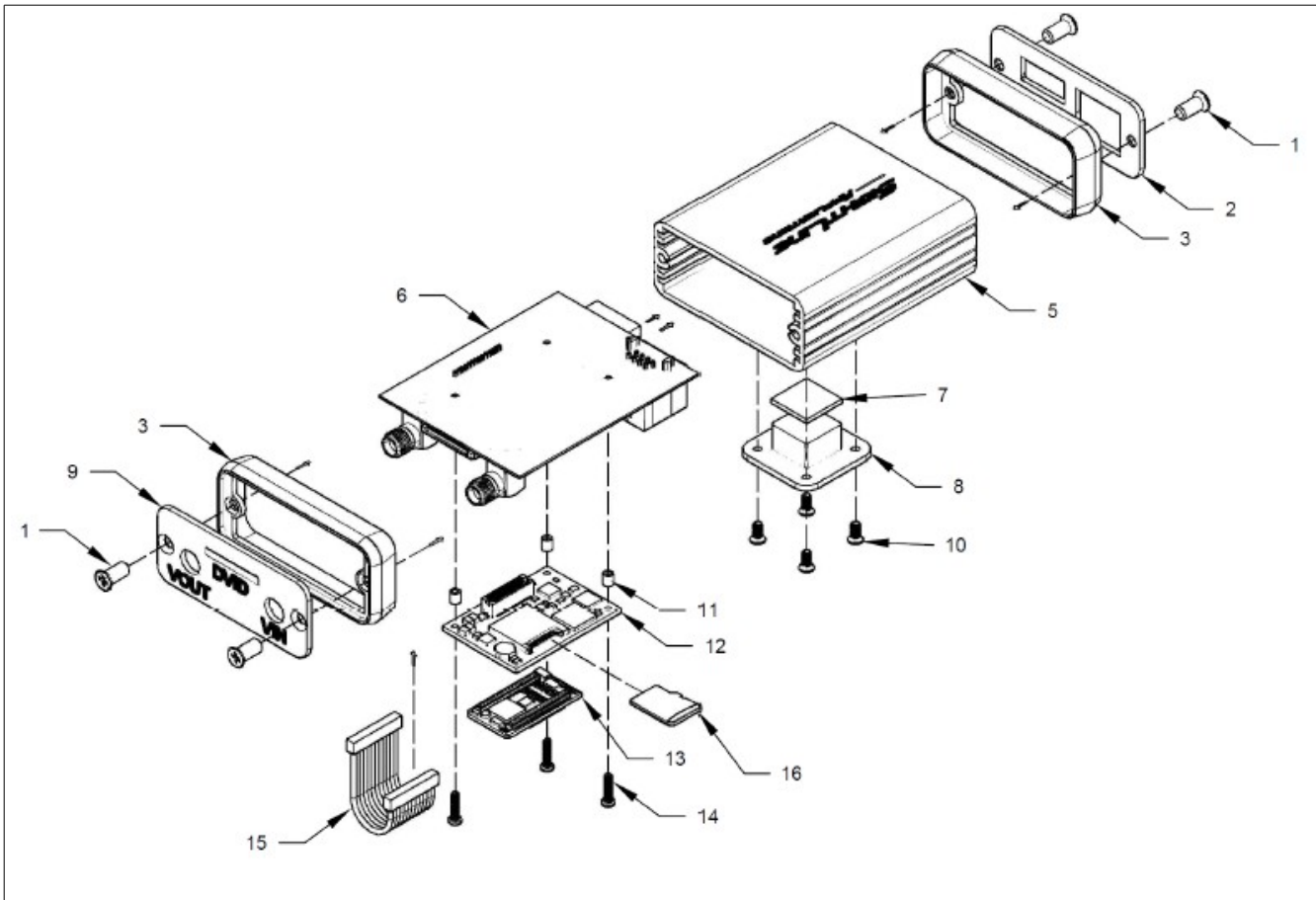


**OPTIONAL FLANGE**





**Exploded View**



Designator	Description	Designator	Description
1	Self-tapping screw	9	Video End Plate
2	Ethernet/Power End Plate	10	M2x5mm buttonhead screw
3	Plastic Bezel	11	M1.6x3mm standoff
4	Molex 21020-0323 FFC <sup>2</sup>	12	SLA-1500-OEM
5	SLA-1500-BOX	13	SLA-1500-SOM
6	SLA-1500-mAB	14	M1.6x8mm screw
7	Gap Pad	15	SLA-CAB-1515
8	SLA-1500-HSNK Heat Sink	16	32Gb MicroSD card

<sup>2</sup> NOT SHOWN

## Export Controls

Exports of SightLine Applications, Inc. products and technical data are governed by the US Export Administration Regulations (EAR) (15 CFR parts 730-774) administered by the US Department of Commerce. Classification of SightLine products has been defined as **ECCN 4A994** for documentation and hardware/firmware, and **ECCN 4D994** for licensed software. Customers acknowledge re-export responsibility and certify that their sale or distribution of SightLine products (whether incorporated into another system or otherwise) may constitute a new export and as such must be in accordance with the requirements of the EAR.

## Support

Documentation and software downloads are available through our web site:

<http://sightlineapplications.com/support/>

## Contacts

SightLine Applications, Inc.  
1107 13TH STREET  
HOOD RIVER, OR 97031

SightLine Applications, Inc.  
524 N Tillamook Street Suite 101  
Portland, OR 97227

Sales      [sales@sightlineapplications.com](mailto:sales@sightlineapplications.com)  
General   [info@sightlineapplications.com](mailto:info@sightlineapplications.com)

[www.sightlineapplications.com](http://www.sightlineapplications.com)