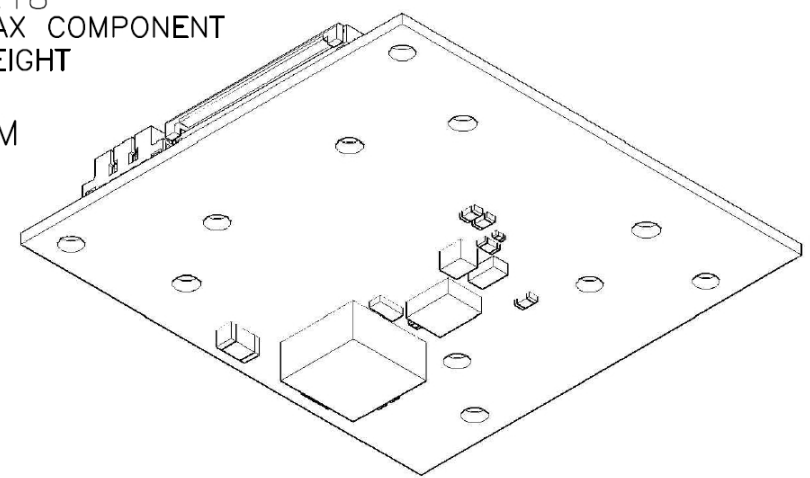
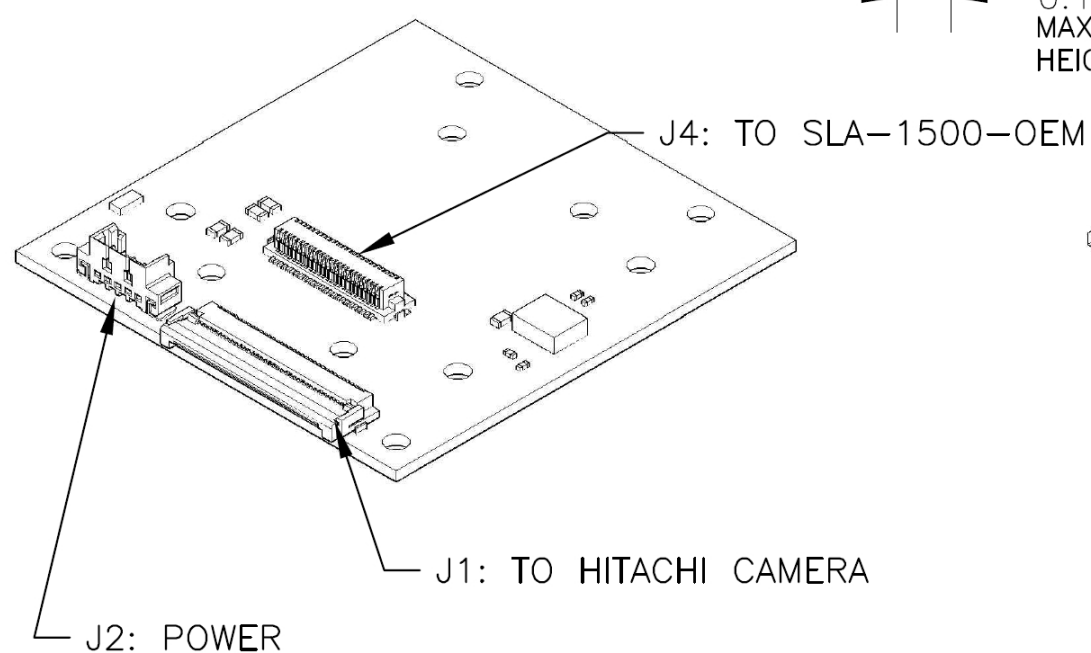


0.18" MAX COMPONENT HEIGHT



ALL DIMENSIONS ARE IN INCHES  
 SEE ICD-SLA-1500-HITACHI.PDF FOR MORE INFO  
 DWG REV: B  
 FILE NAME: SLA-1500-HITACHI\_BDIMENSION.PDF