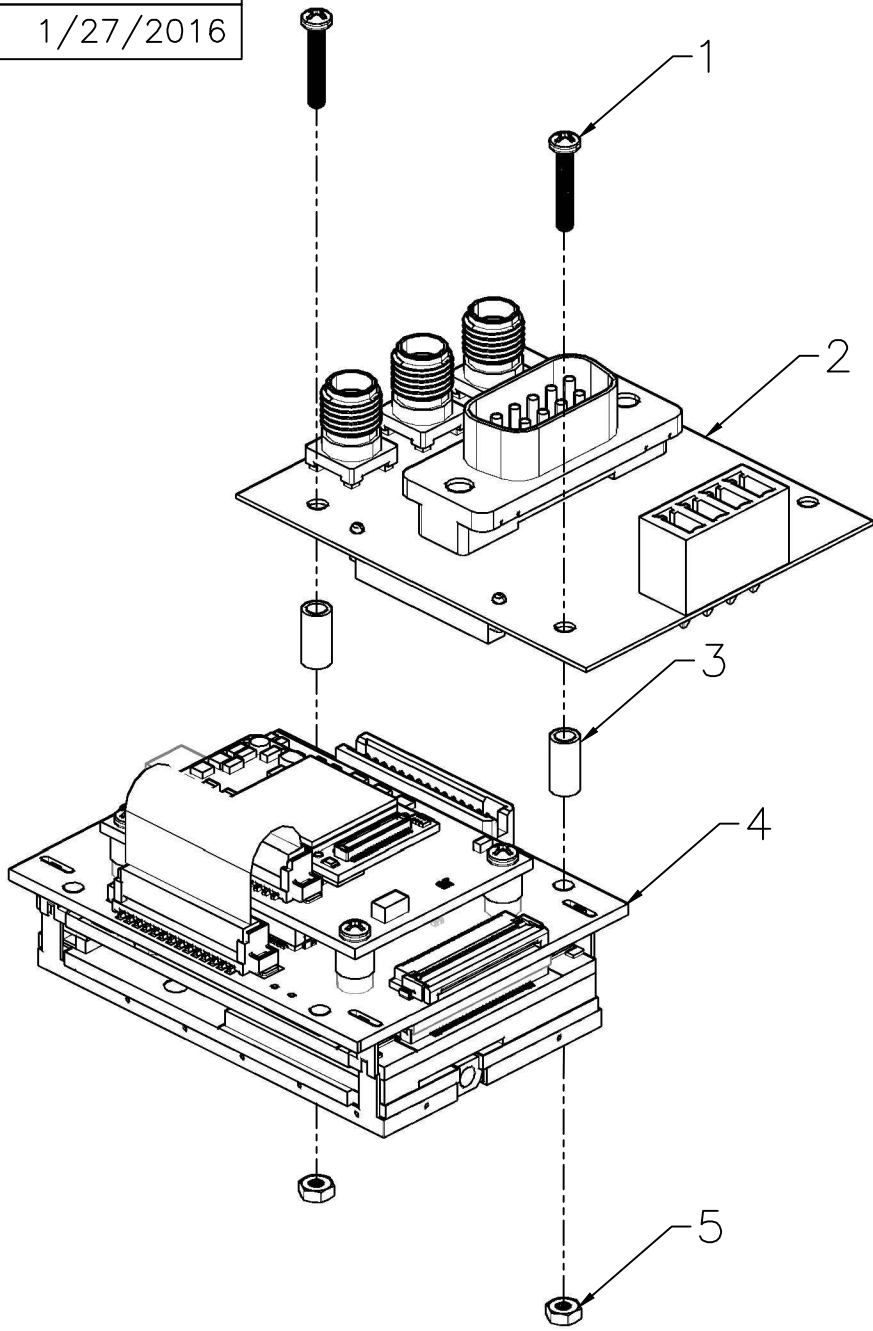


**SIGHTLINE APPLICATIONS**  
 Dwg No. SLA-1500-RABn Assy  
 Date 1/27/2016  
 Dwg Rev A



Bill of Materials

Designator	Qty	Description	Part #
1	2	M1.6 x 10mm Screw	McMaster 92000A006
2	1	SLA-1500-RABn	SLA-1500-RABn
3	2	0.25" Nylon Spacer	McMaster 94639A464
4	1	SLA-1500-RAB Assy	See SLA-1500-RAB_Exploded.pdf
5	2	M1.6 Nut	McMaster 90591A109