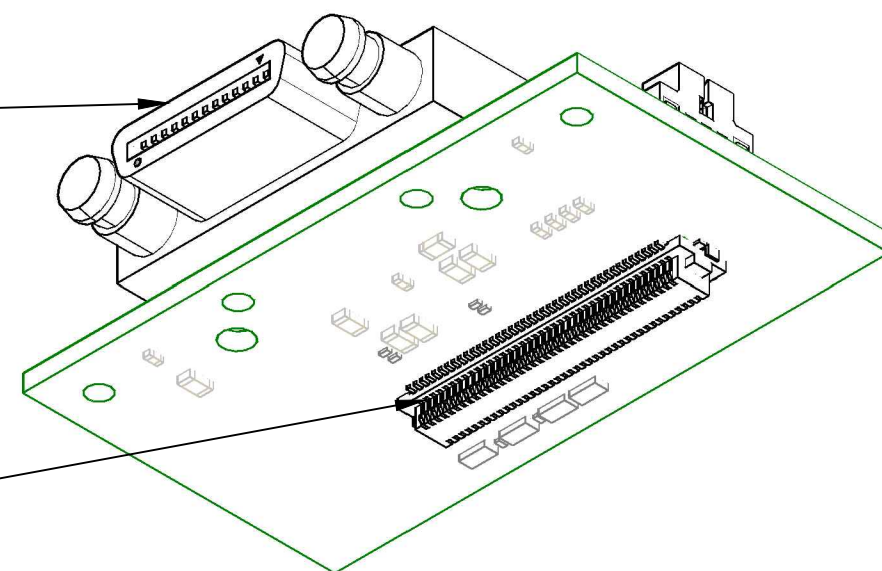


J3: CAMERALINK CONNECTOR



ALL DIMENSIONS ARE IN INCHES  
SEE ICD-SLA-3000-CL.PDF FOR MORE INFO  
DWG REV: A  
FILE NAME: SLA-3000-CL\_BDIMENSION.PDF