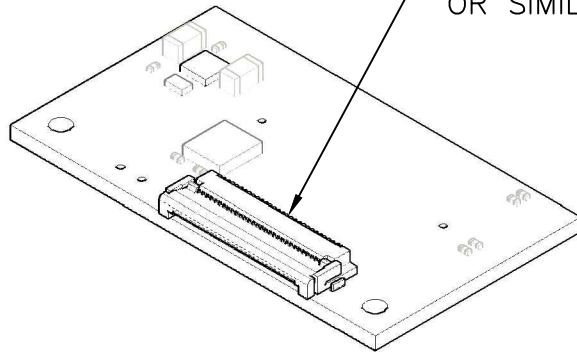
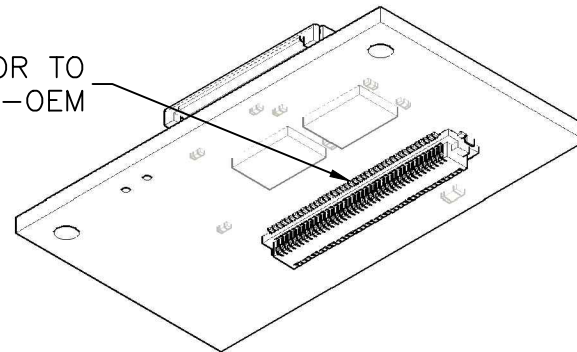


J7: TO SLA-FFC-xxxx ADAPTER BOARD  
(USE MOLEX 21020-0323  
OR SIMILAR FFC CABLE)



J1: CONNECTOR TO  
SLA-3000-OEM



ALL DIMENSIONS ARE IN INCHES  
SEE ICD-SLA-3000-FFC.PDF FOR MORE INFO  
DWG REV: D  
FILE NAME: SLA-3000-FFC\_BDIMENSION.PDF