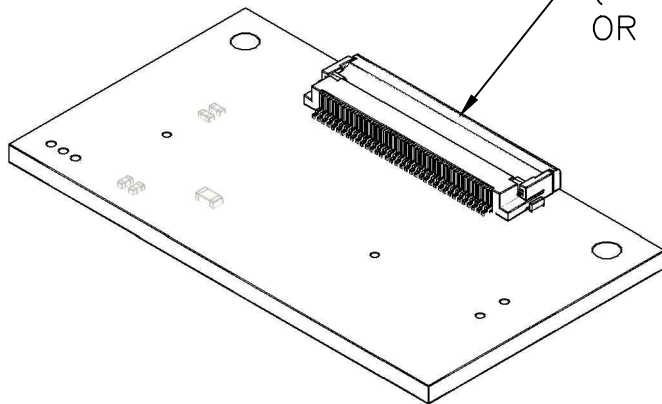
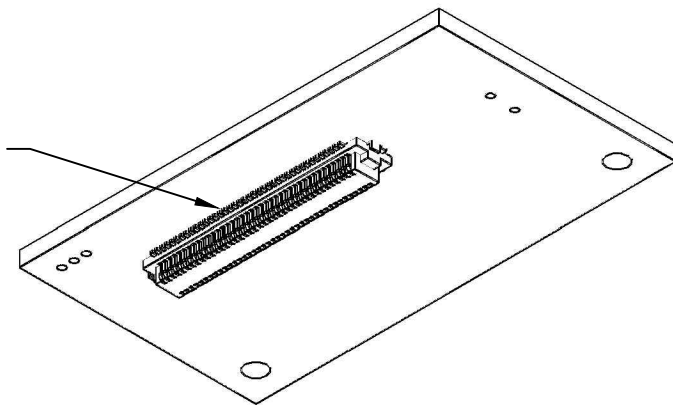


P1: TO HITACHI CAMERA
(USE MOLEX PN: 21020-0385
OR SIMILAR CABLE)



J1: CONNECTOR TO
SLA-3000-OEM



ALL DIMENSIONS ARE IN INCHES
SEE ICD-SLA-3000-HITACHI.PDF FOR MORE INFO
DWG REV: B
FILE NAME: SLA-3000-HITACHI_BDIMENSION.PDF