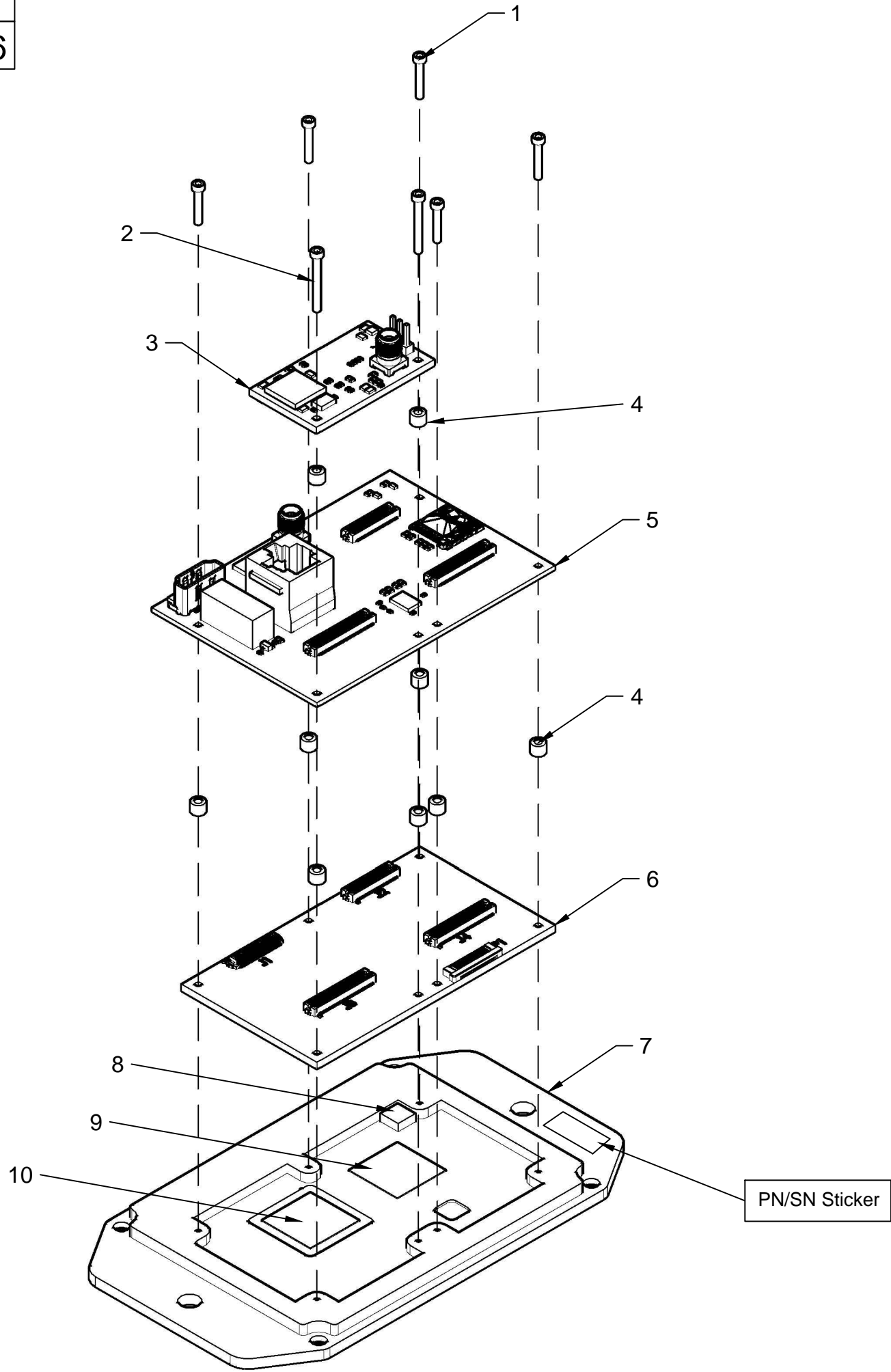


| | |
|-------------------------------|-------------------|
| SIGHTLINE APPLICATIONS | |
| Dwg No. | SLA-3000-OEM Assy |
| Date | 12/13/2016 |
| Dwg Rev | C |



BILL OF MATERIALS FOR DUAL HDSOI INPUT MEZZANINE CONFIGURATION

| Designator | Qty | Description | Part # (Connector Part #) |
|------------|-----|--------------------------------|---------------------------|
| 1 | 5 | M1.6 x 10mm Screw | McMaster 91292A265 |
| 2 | 2 | M1.6 x 16mm Screw | Fastener-Express MSCS1616 |
| 3 | 2 | HDSOI Input Mezzanine Board | SLA-3000-HDSOI-IN |
| 4 | 9 | M1.6 x 3mm Spacer | Essentra 005150600014 |
| 5 | 1 | SLA-3000 Breakout Board | SLA-3000-IO |
| 6 | 1 | SLA-3000-OEM Board | SLA-3000-OEM |
| 7 | 1 | SLA-3000 Heatsink | SLA-3000-ENC |
| 8 | 1 | Thermal Pad (0.125" Thickness) | SLA-PAD-125 |
| 9 | 1 | Thermal Pad (0.01" Thickness) | SLA-PAD-010 |
| 10 | 1 | Thermal Pad (0.02" Thickness) | SLA-PAD-020 |