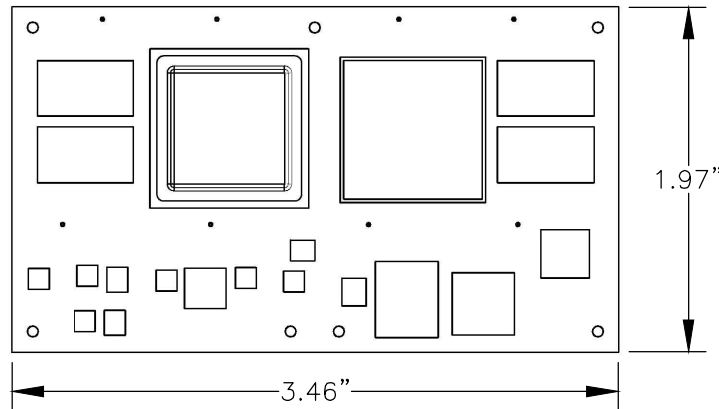
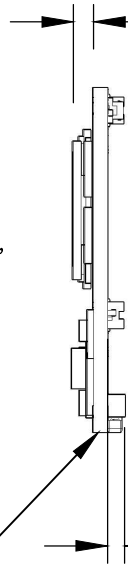


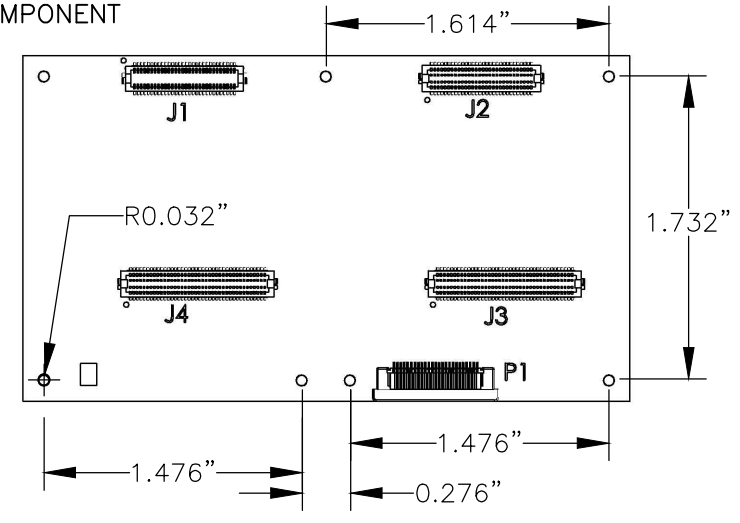
TOP VIEW



SIDE VIEW



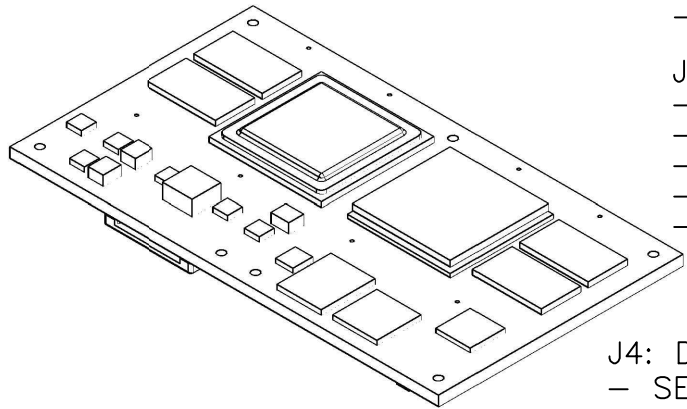
BOTTOM VIEW



PCB THICKNESS= 0.079"

0.10" MAX COMPONENT HEIGHT

ISO A VIEW



J2: DIGITAL VIDEO OUTPUT

- USB
- SERIAL 4
- I2C0

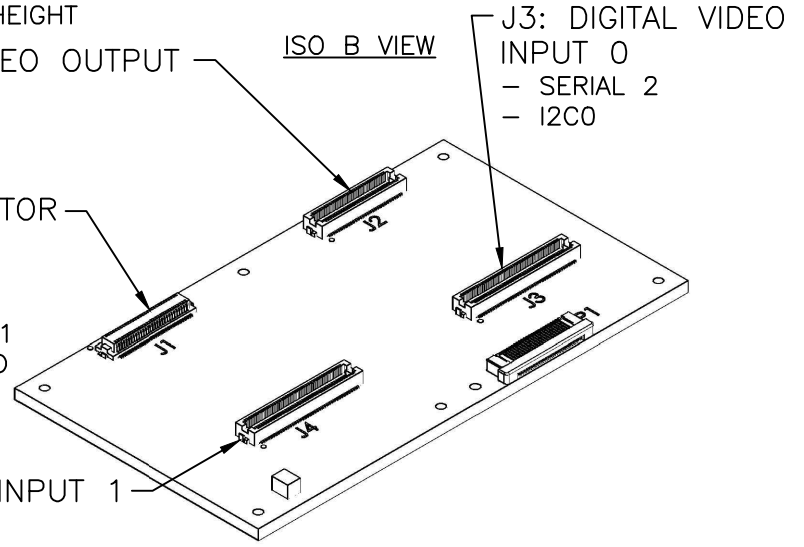
J1: IO CONNECTOR

- POWER IN
- HDMI
- ETHERNET
- SERIAL 0 AND 1
- MICRO SD CARD

J4: DIGITAL VIDEO INPUT 1

- SERIAL 3
- I2C3

ISO B VIEW



J3: DIGITAL VIDEO INPUT 0

- SERIAL 2
- I2C0

ALL DIMENSIONS ARE IN INCHES
SEE ICD-SLA-3000-OEM.PDF FOR MORE INFO
DWG REV: H
FILE NAME: SLA-3000-OEM_BDIMENSION.PDF