

A

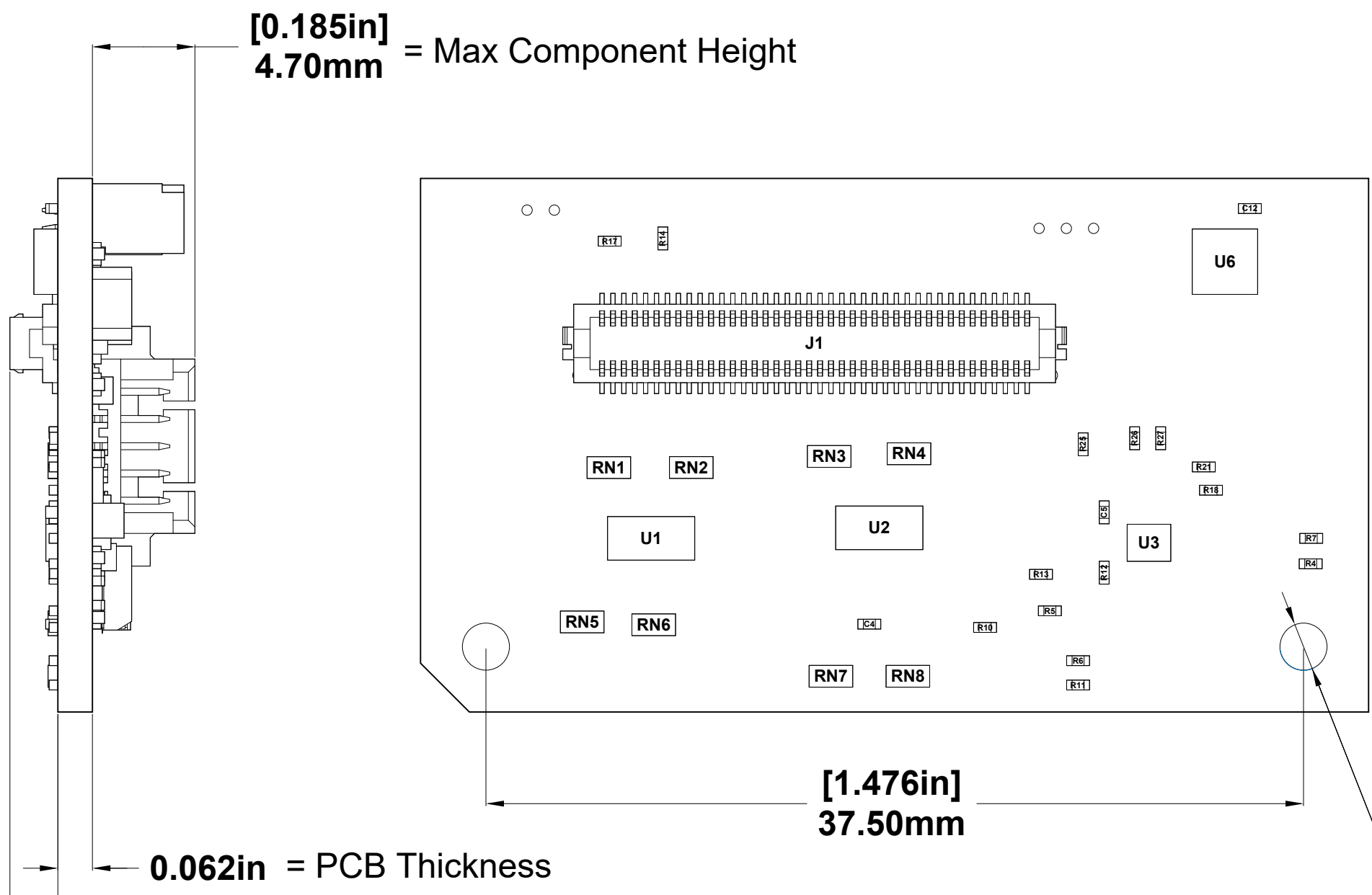
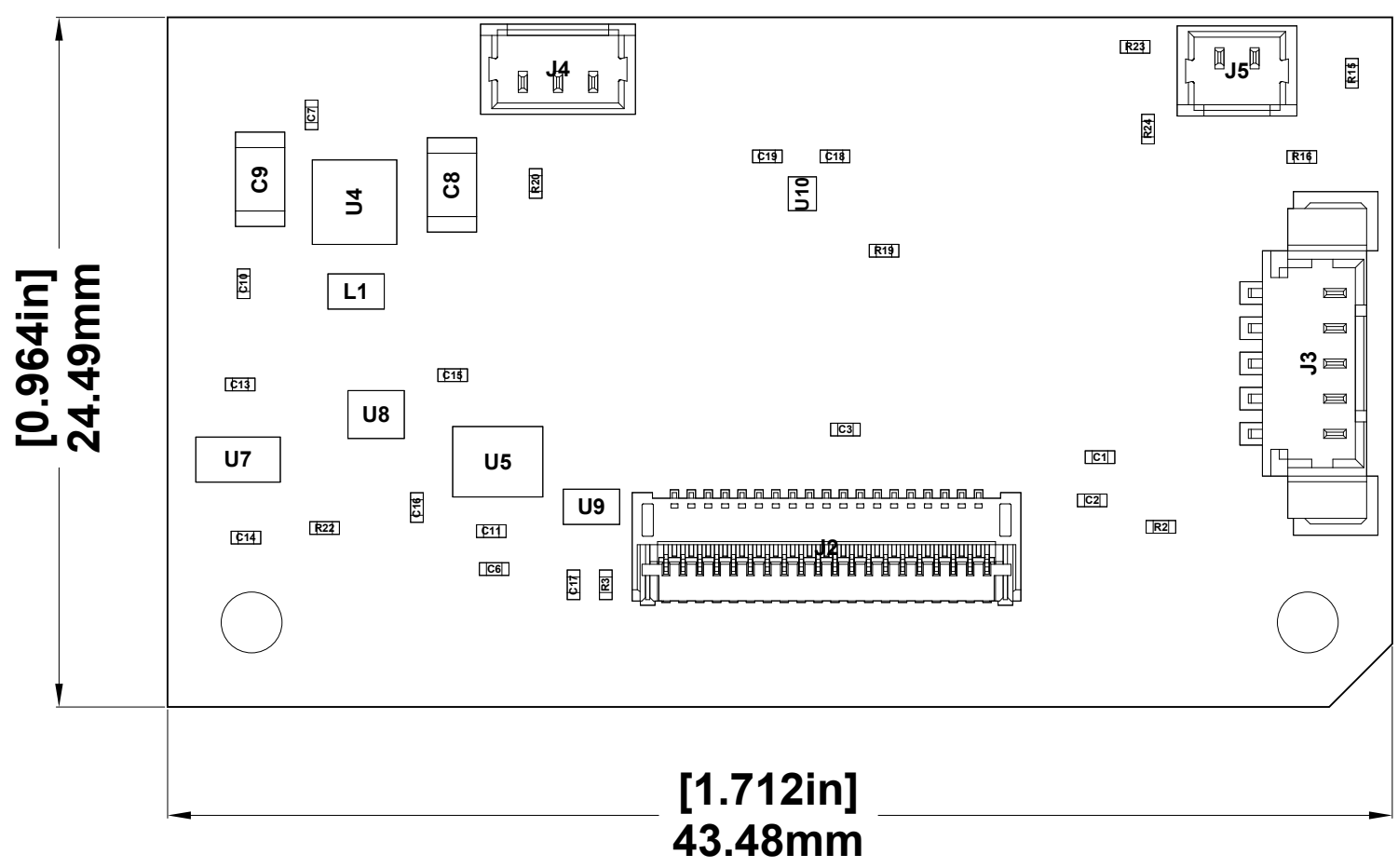
B

C

D

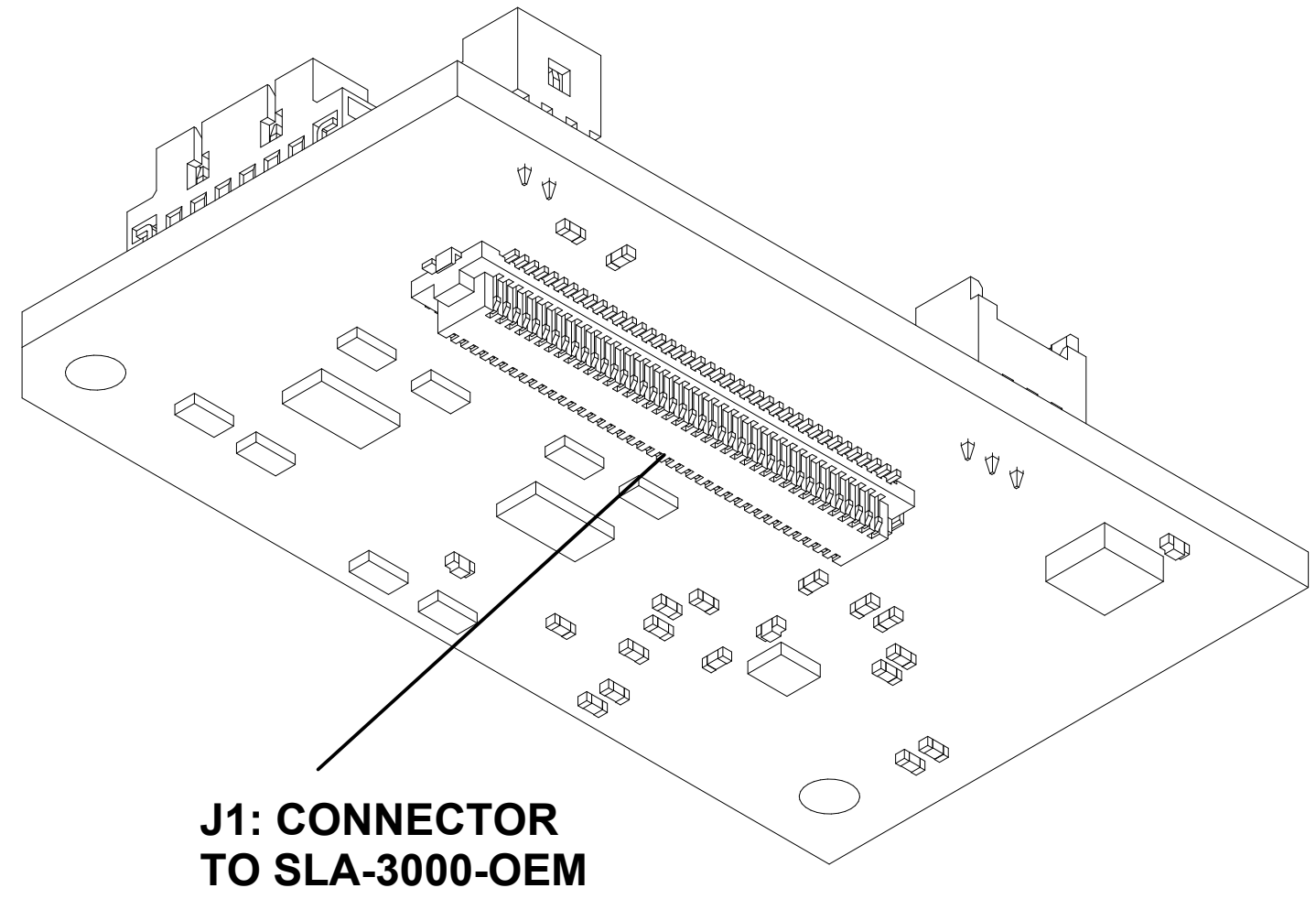
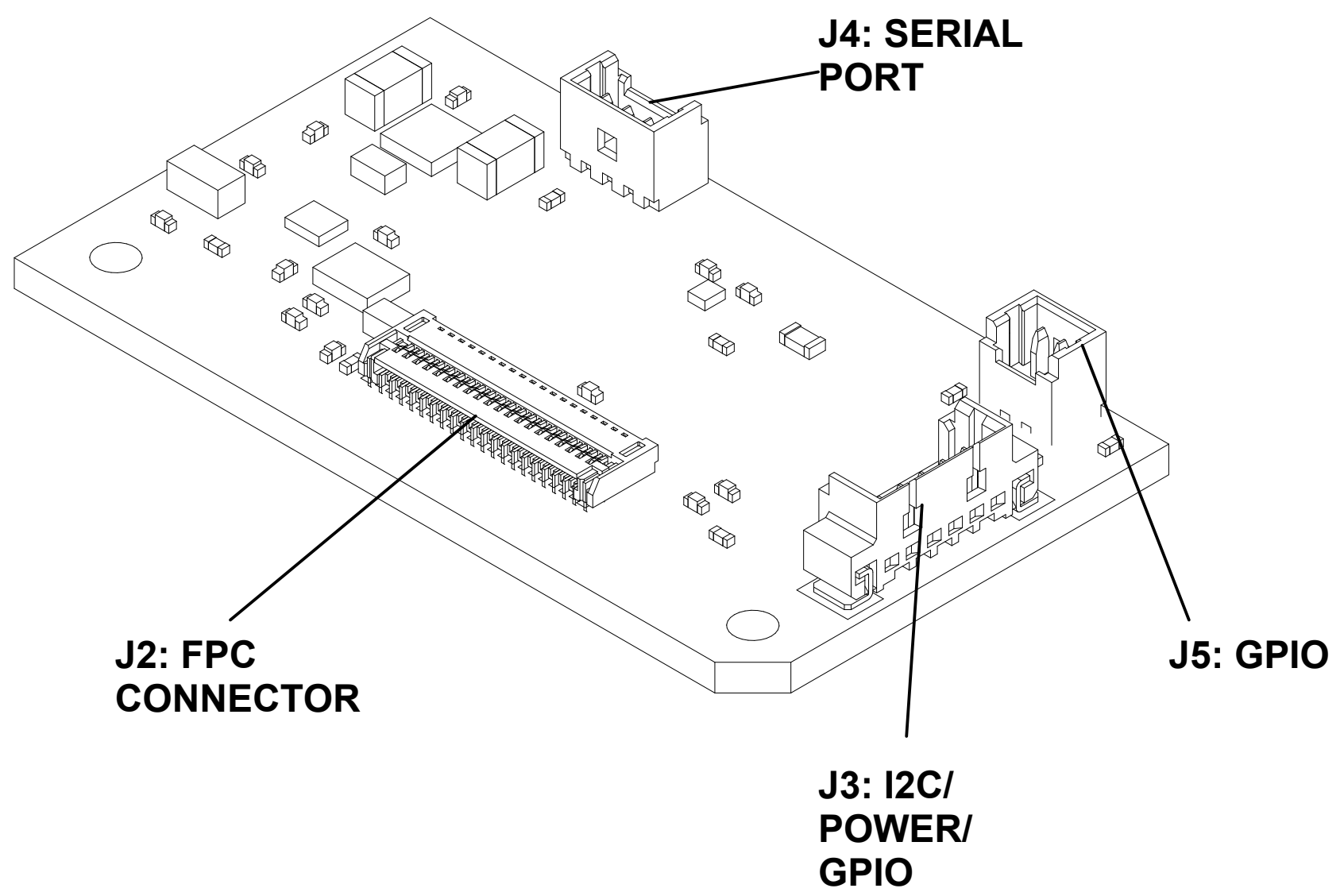
E

F



Max Component Height = [0.087in]
2.20mm

[Ø0.09in±0.008]
Ø2.18mm±0.203



UNLESS OTHERWISE SPECIFIED ALL DIMENSIONS IN INCHES TOLERANCES ARE:

.XX +/- .01
.XXX +/- .005

DIMENSION DRAWING		
PART NUMBER:	SLA-3000-FPC	
COMPANY NAME:	SIGHTLINE APPLICATIONS INC.	
HARDWARE REV:	C	
DWG REVISION:	C	
DRAWN BY:	WMH	
SIZE:	ANSI C	
		SHEET 1 OF 1

A

B

C

D

E

F