

A

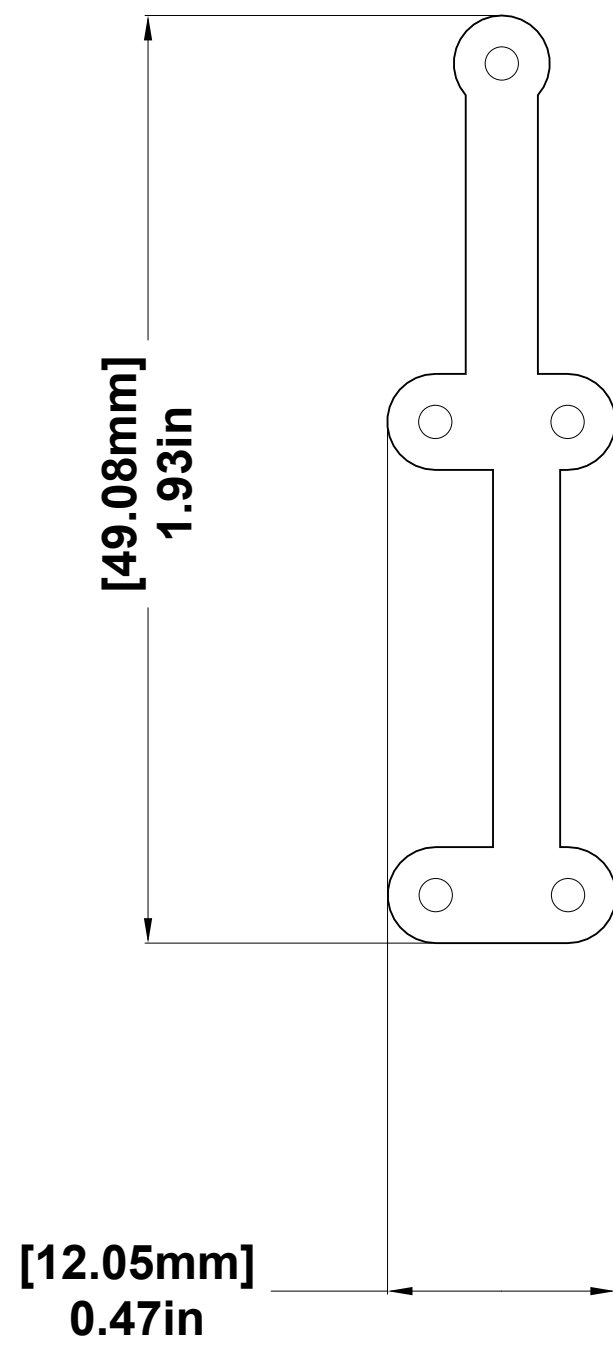
B

C

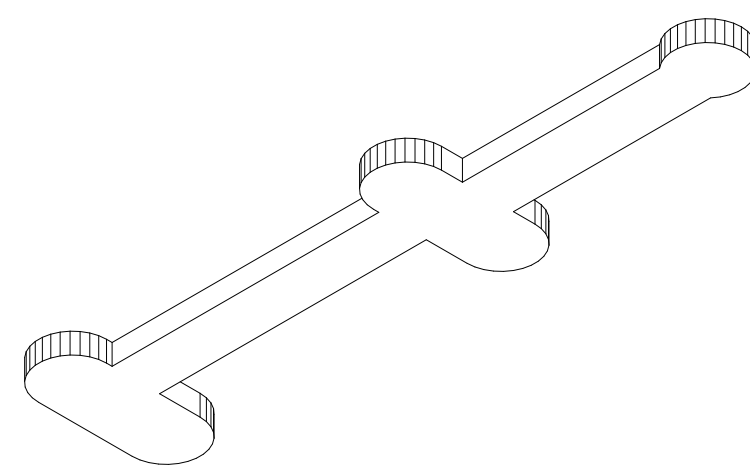
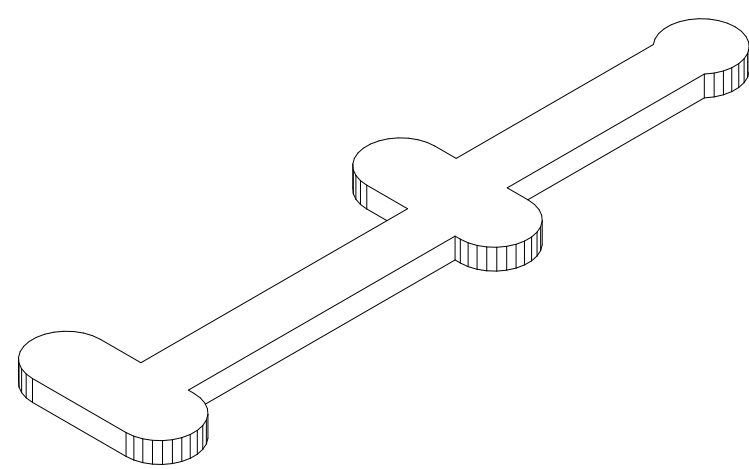
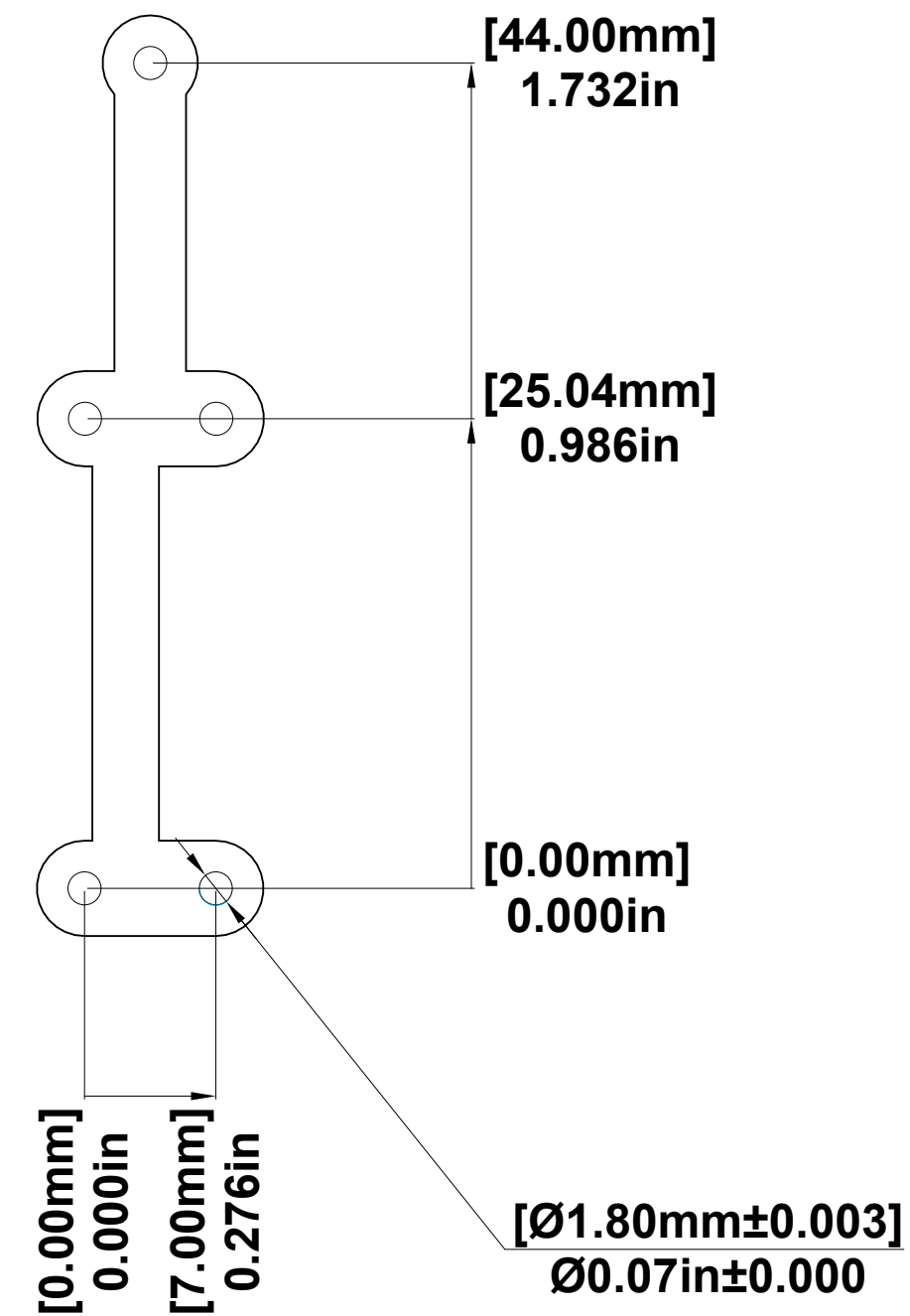
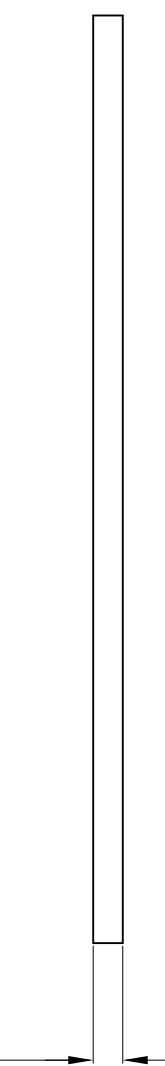
D

E

F



PCB Thickness = 0.062in



UNLESS OTHERWISE SPECIFIED ALL DIMENSIONS IN INCHES
TOLERANCES ARE:

.XX +/- .01
.XXX +/- .005

DIMENSION DRAWING		
PART NUMBER: SLA-3000-FRAME		
COMPANY NAME: SIGHTLINE APPLICATIONS INC.		
HARDWARE REV: A		
DWG REVISION: A		
DRAWN BY: WMH		
SIZE: ANSI C		SHEET 1 OF 1

A

B

C

D

E

F