

A

B

C

D

E

F

1

2

3

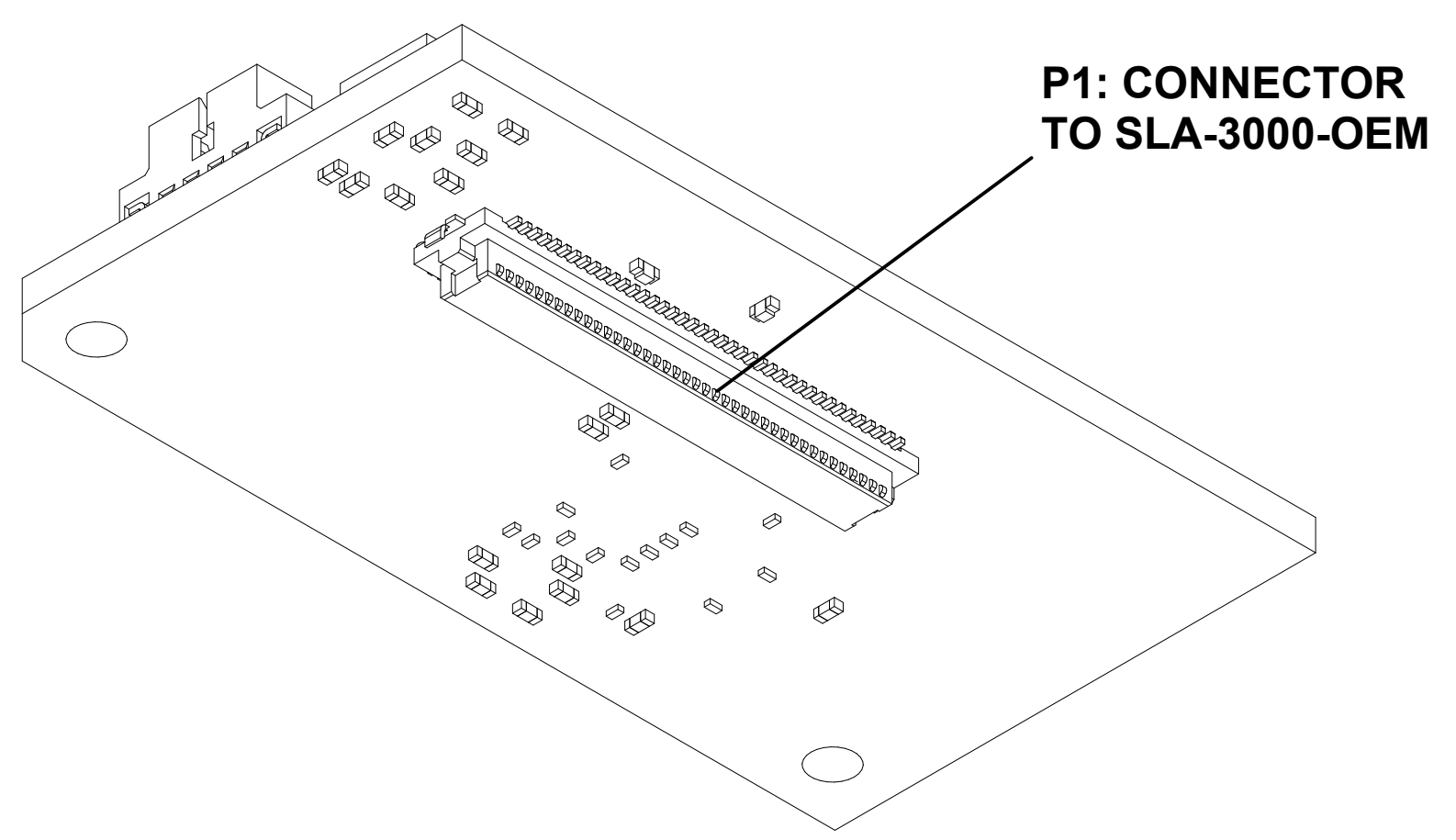
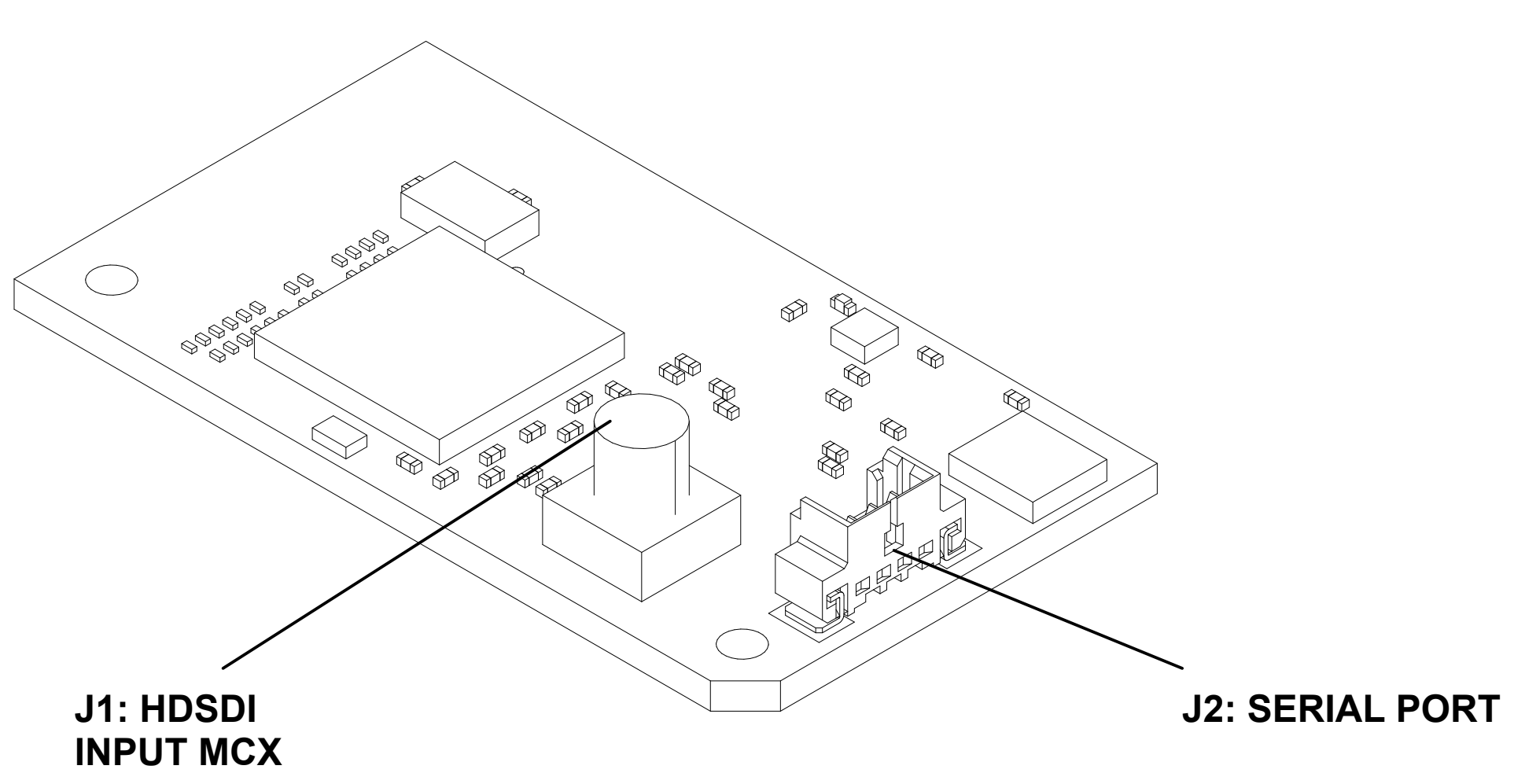
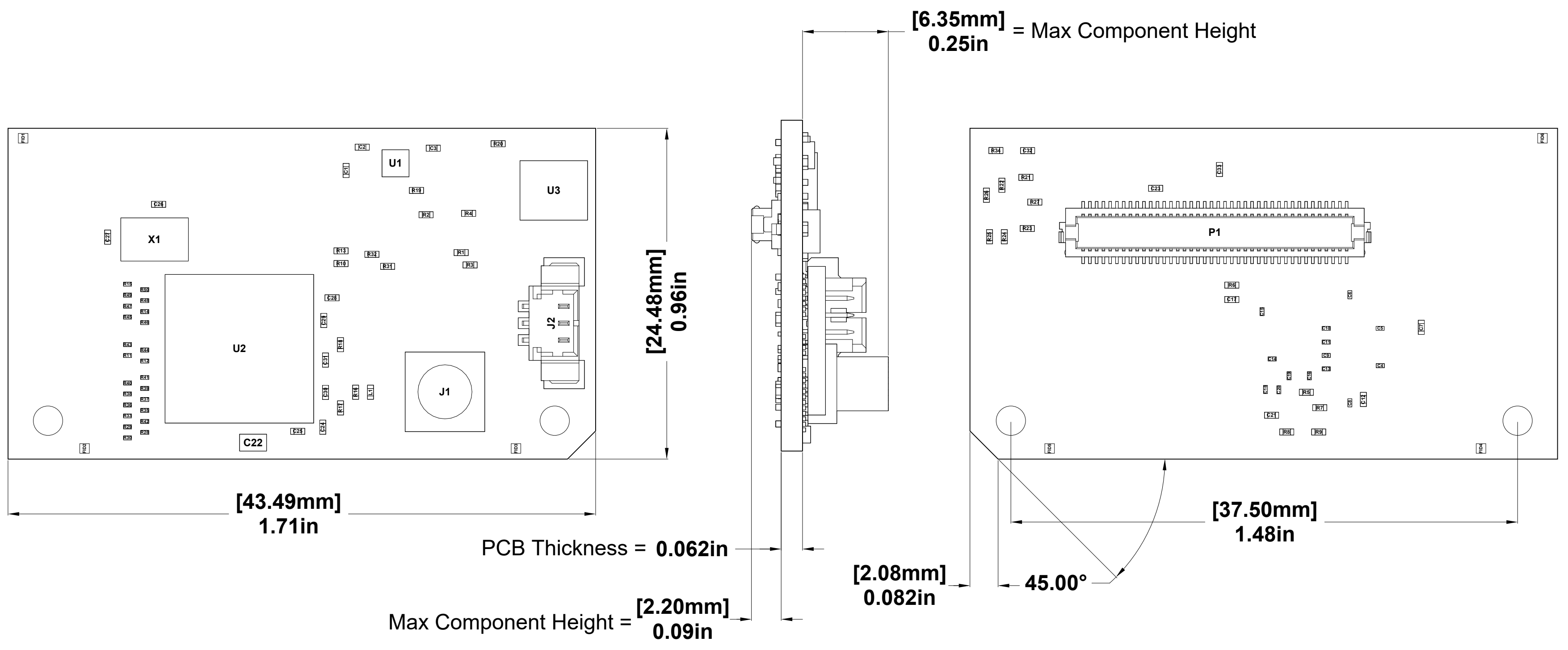
4

1

2

3

4



UNLESS OTHERWISE SPECIFIED ALL DIMENSIONS IN INCHES TOLERANCES ARE:  
 .XX +/- .01  
 .XXX +/- .005

DIMENSION DRAWING		
PART NUMBER:	SLA-3000-HDSDI-IN	
COMPANY NAME:	SIGHTLINE APPLICATIONS INC.	
HARDWARE REV:	E	
DWG REVISION:	E	
DRAWN BY:	WMH	
SIZE:	ANSI C	
		SHEET 1 OF 1

A

B

C

D

E

F