

Max Component Height = **[6.35mm]**
0.250in

[R3.0mm]
R0.118in

[6.0mm]
0.236in

[3.0mm]
0.118in

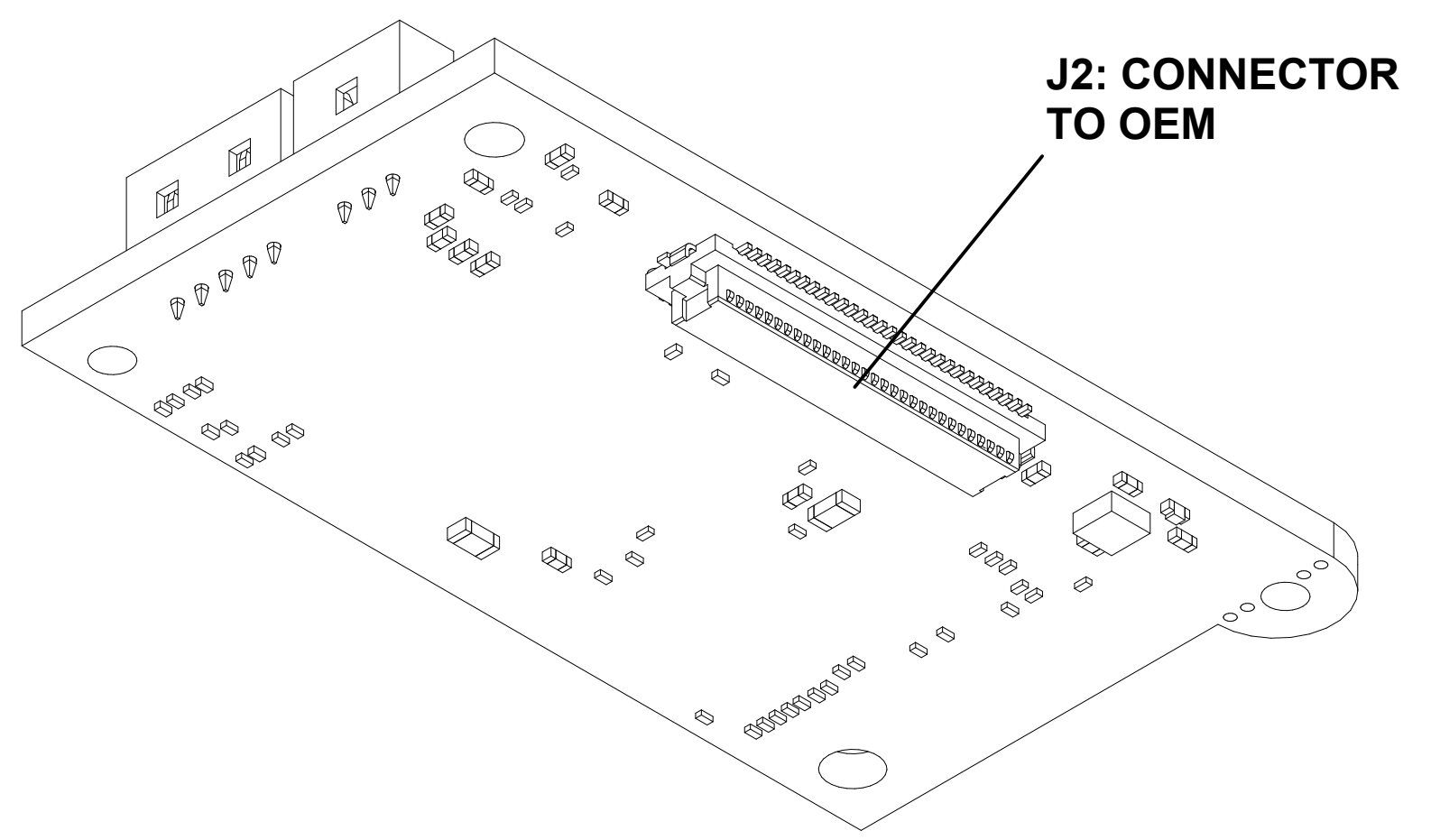
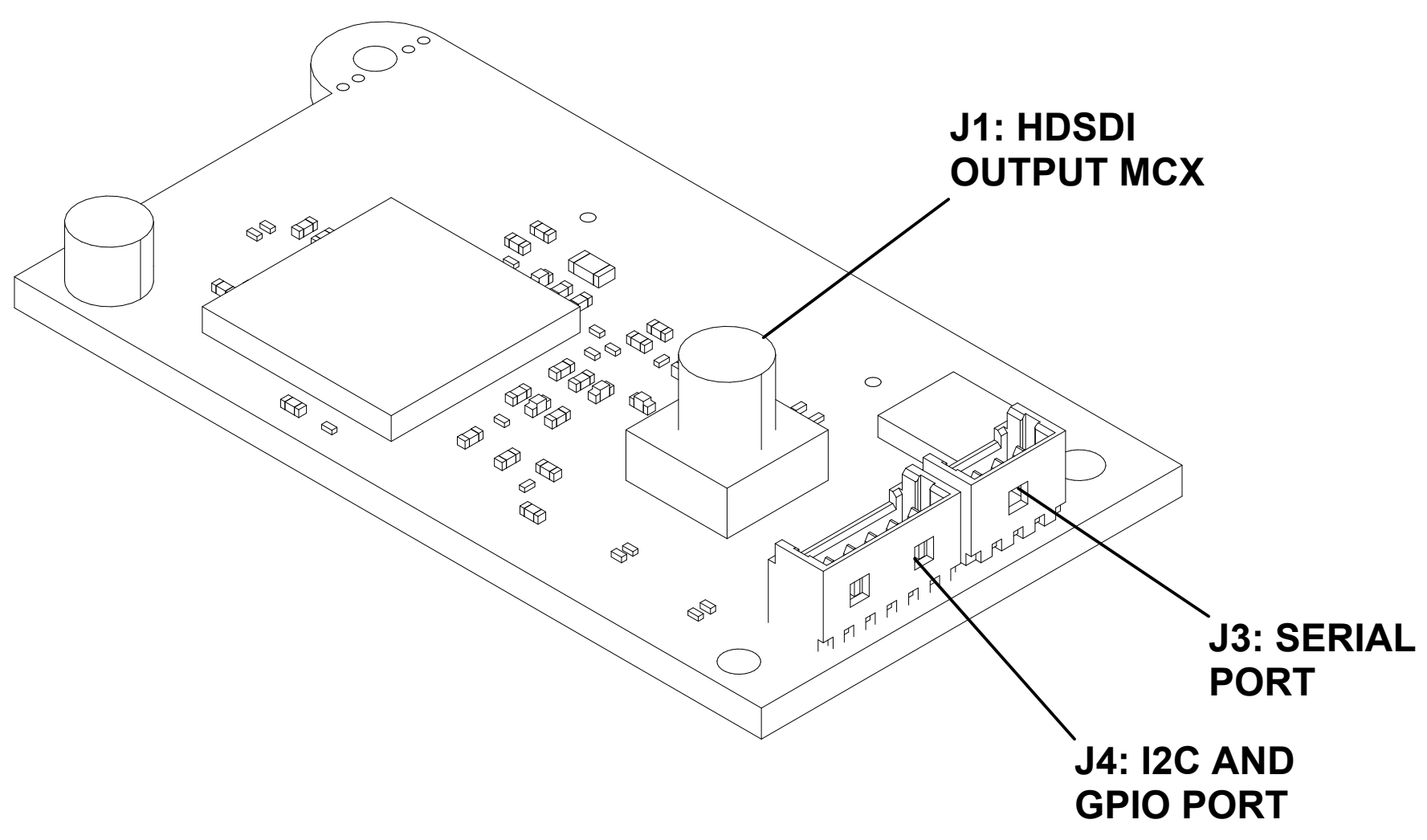
[24.5mm]
0.965in

[43.5mm]
1.712in

Max Component Height = **[2.2mm]**
0.085in

0.062in = PCB Thickness

[Ø1.80mm±0.076]
Ø0.07in±0.003



UNLESS OTHERWISE SPECIFIED ALL DIMENSIONS IN INCHES
TOLERANCES ARE:

.XX +/- .01
.XXX +/- .005

DIMENSION DRAWING		
PART NUMBER:	SLA-3000-HSDI-OUT	
COMPANY NAME:	SIGHTLINE APPLICATIONS INC.	
HARDWARE REV:	E	
DWG REVISION:	E	
DRAWN BY:	WMH	
SIZE:	ANSI C	
		SHEET 1 OF 1