

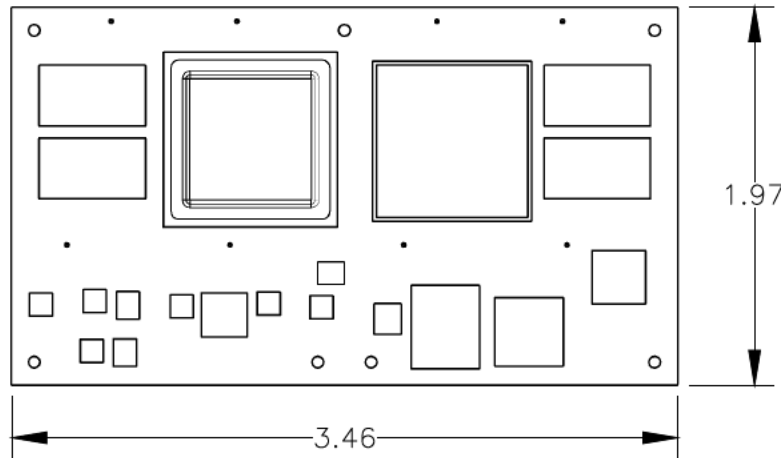


3000-OEM Revision Changes

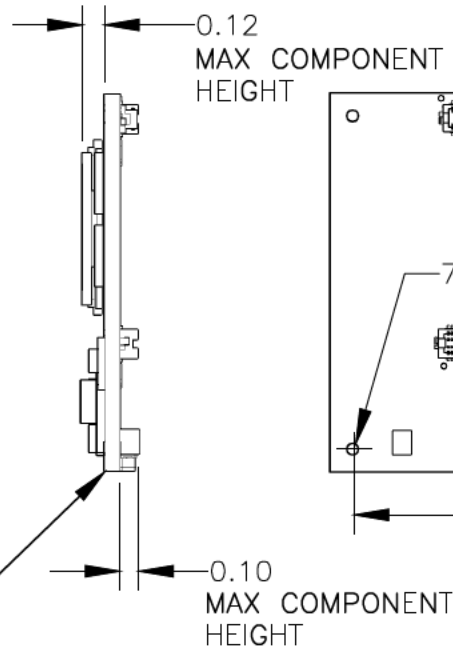
Board Revision	Changes
REV B3	Initial production release. Mounting holes 0.063 dia. No longer available.
REV C1	Added a power control circuit to allow integrators to turn off the C66 DSP processor. Mounting holes 0.063 dia. No longer available.
REV C2	Mounting hole size increased from .063 to .079 dia. to support standard size #1 hardware in addition to M1.6 hardware. Availability limited to existing program support.
REV C3	Disabled Power control of C66. Form and fit identical to REV C2. No longer available.
REV B4	<u>New production baseline</u> starting Q3,2020. Based on previous REV B baseline. Removes power control of C66. Mounting holes 0.079 dia.
REV B5	No form, fit or functional change. Ref locations J1 through J4 Hirose connector material change.
REV B6	EOL memory replacement.

3000-OEM board mounting holes support M1.6 screws and standard #1 hardware with revisions C2 and B4 (increase hole size to 0.079).

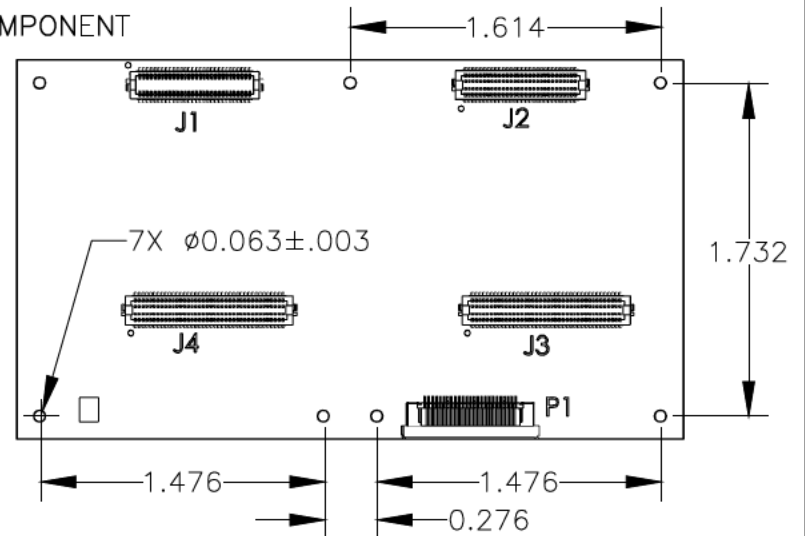
TOP VIEW



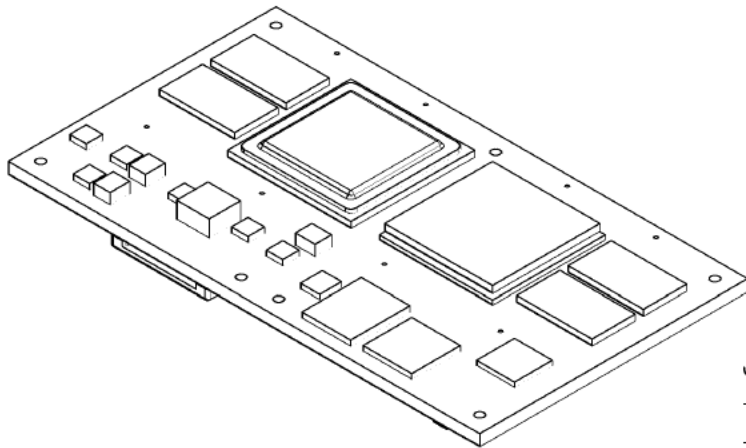
SIDE VIEW



BOTTOM VIEW



ISO A VIEW



J2: DIGITAL VIDEO OUTPUT

- USB
- SERIAL 4
- I2C0

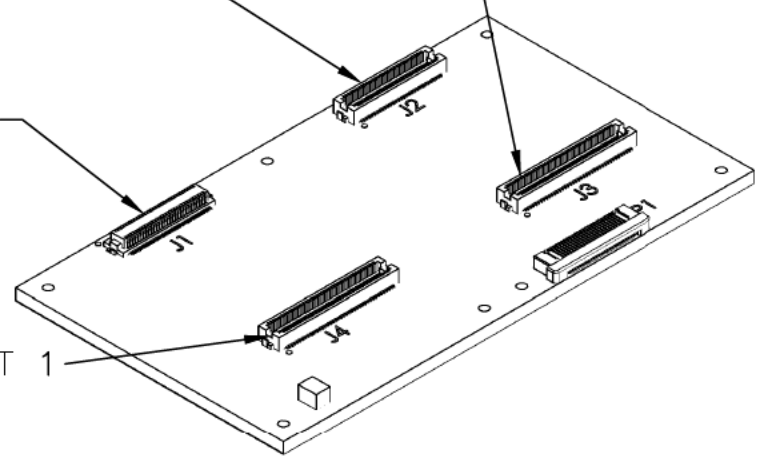
J1: IO CONNECTOR

- POWER IN
- HDMI
- ETHERNET
- SERIAL 0 AND 1
- MICRO SD CARD

J4: DIGITAL VIDEO INPUT 1

- SERIAL 3
- I2C3

ISO B VIEW



J3: DIGITAL VIDEO INPUT 0
- SERIAL 2
- I2C0

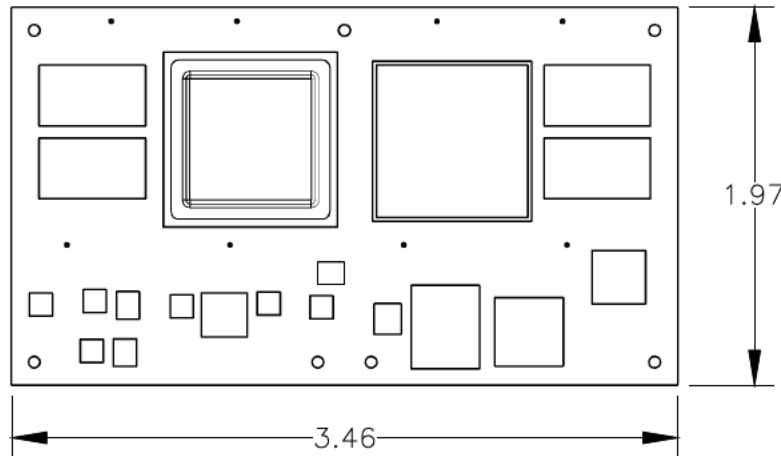
UNLESS OTHERWISE SPECIFIED ALL DIMENSIONS IN INCHES
TOLERANCES ARE:

.XX ±.01
.XXX ±.005

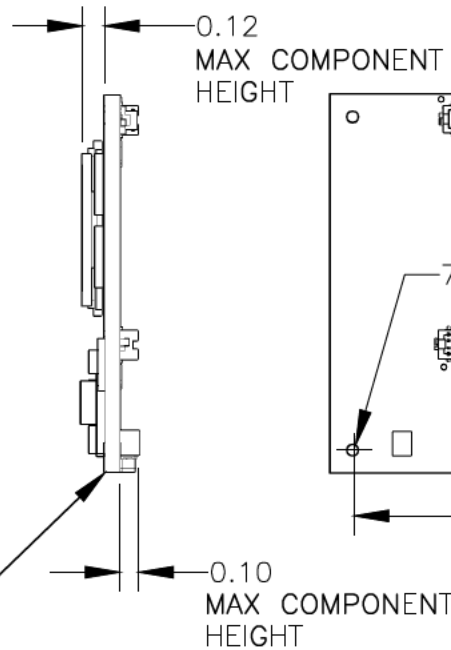
SHEET

1/1

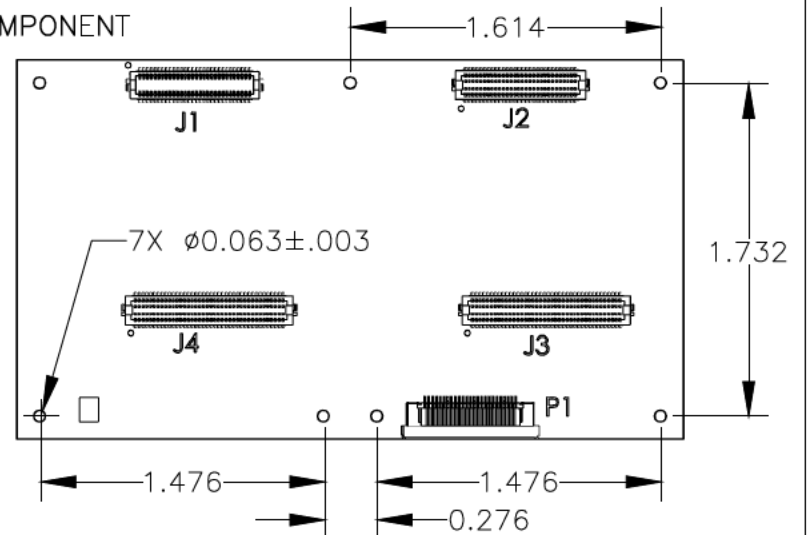
TOP VIEW



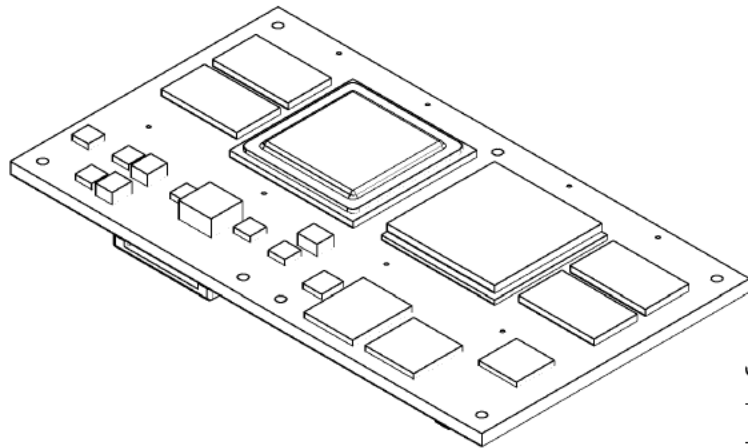
SIDE VIEW



BOTTOM VIEW



ISO A VIEW



J2: DIGITAL VIDEO OUTPUT

- USB
- SERIAL 4
- I2C0

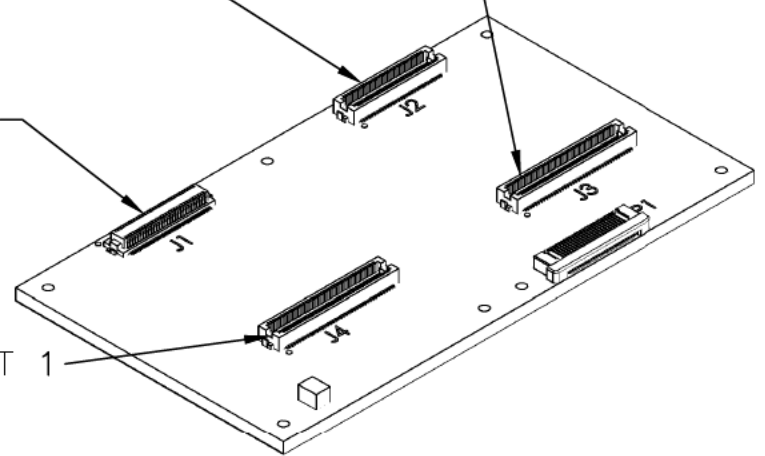
J1: IO CONNECTOR

- POWER IN
- HDMI
- ETHERNET
- SERIAL 0 AND 1
- MICRO SD CARD

J4: DIGITAL VIDEO INPUT 1

- SERIAL 3
- I2C3

ISO B VIEW



J3: DIGITAL VIDEO INPUT 0
- SERIAL 2
- I2C0

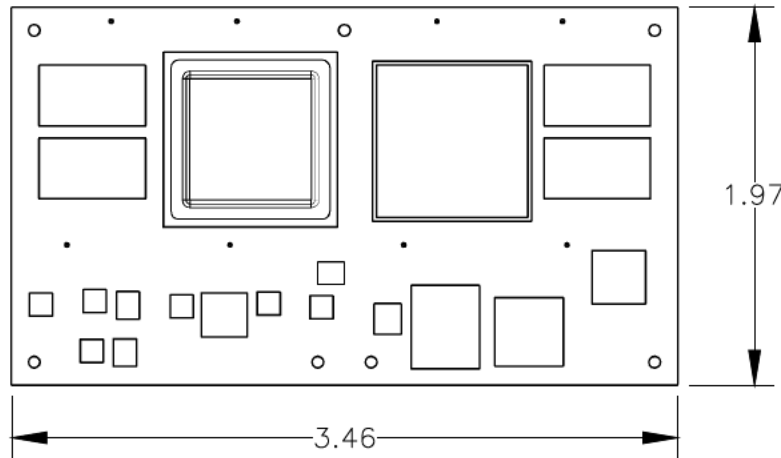
UNLESS OTHERWISE SPECIFIED ALL DIMENSIONS IN INCHES
TOLERANCES ARE:

.XX ±.01
.XXX ±.005

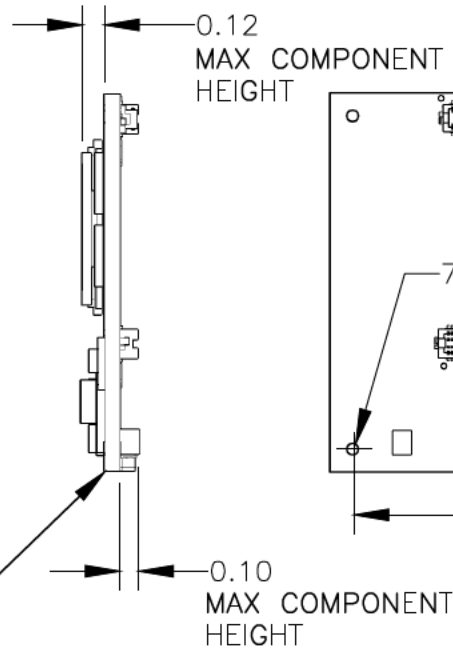
SHEET

1/1

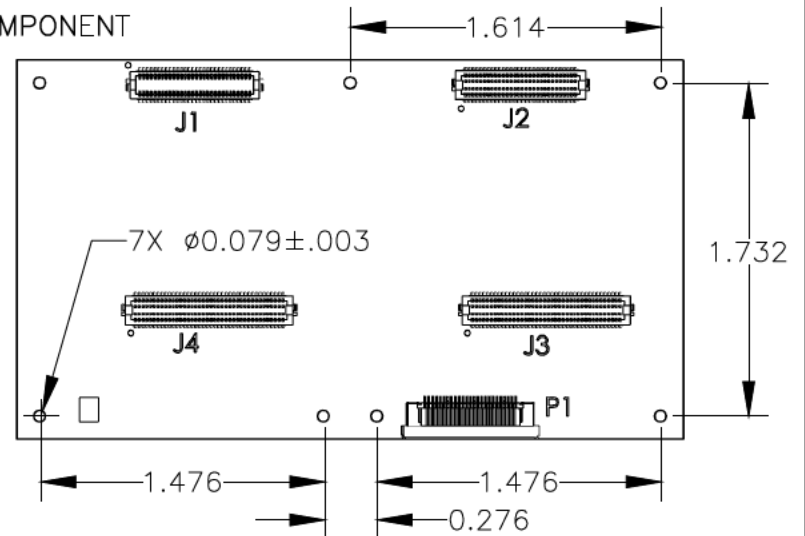
TOP VIEW



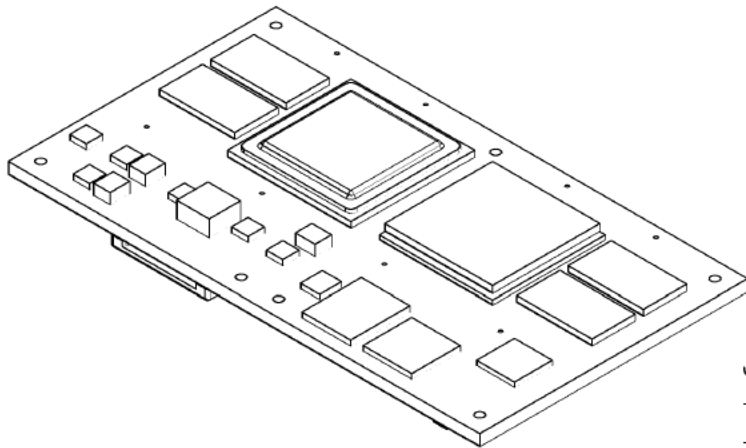
SIDE VIEW



BOTTOM VIEW



ISO A VIEW



J2: DIGITAL VIDEO OUTPUT

- USB
- SERIAL 4
- I2C0

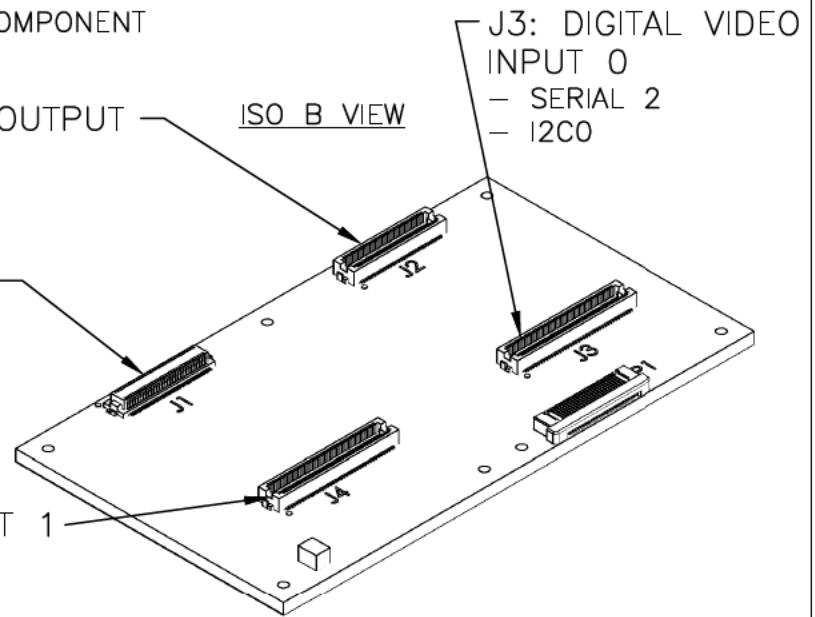
J1: IO CONNECTOR

- POWER IN
- HDMI
- ETHERNET
- SERIAL 0 AND 1
- MICRO SD CARD

J4: DIGITAL VIDEO INPUT 1

- SERIAL 3
- I2C3

ISO B VIEW



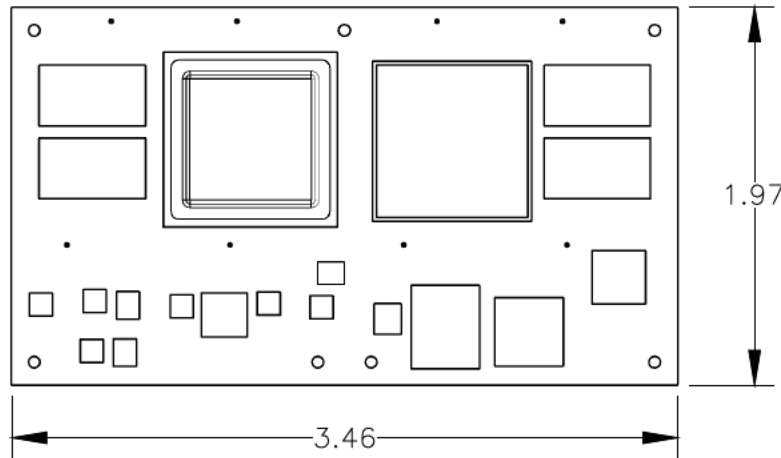
UNLESS OTHERWISE SPECIFIED ALL DIMENSIONS IN INCHES
TOLERANCES ARE:

.XX ±.01
.XXX ±.005

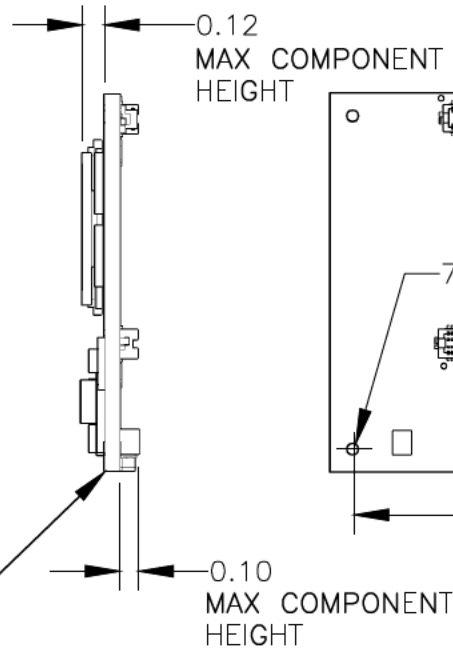
SHEET

1/1

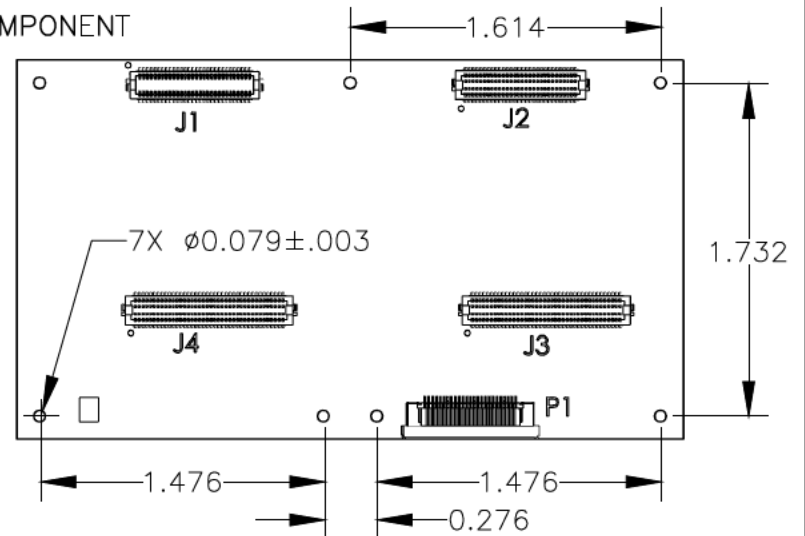
TOP VIEW



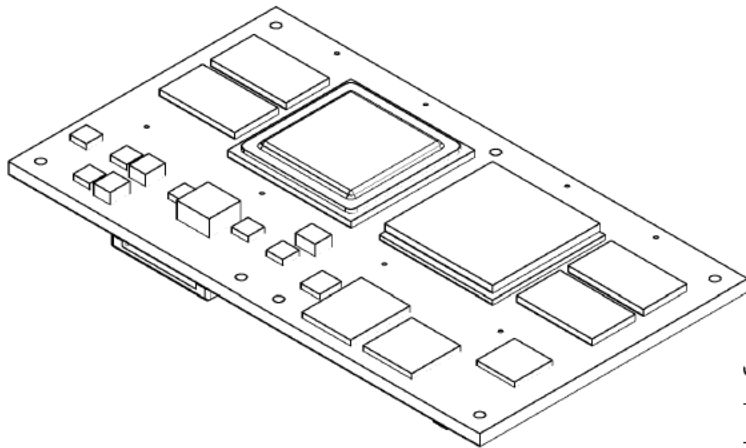
SIDE VIEW



BOTTOM VIEW



ISO A VIEW



J2: DIGITAL VIDEO OUTPUT

- USB
- SERIAL 4
- I2C0

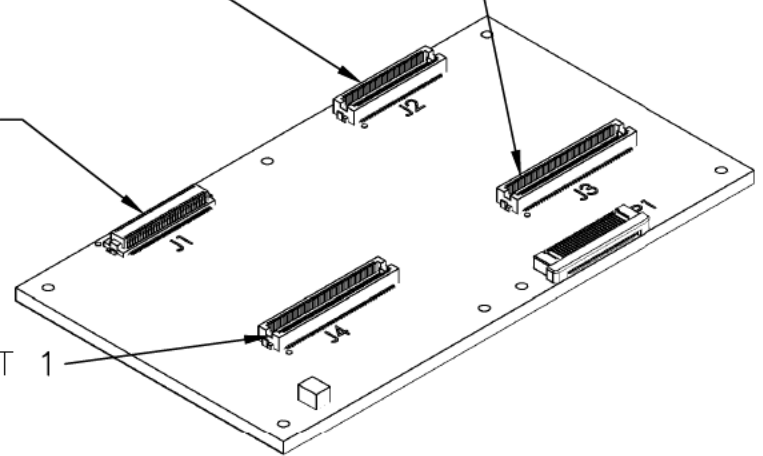
J1: IO CONNECTOR

- POWER IN
- HDMI
- ETHERNET
- SERIAL 0 AND 1
- MICRO SD CARD

J4: DIGITAL VIDEO INPUT 1

- SERIAL 3
- I2C3

ISO B VIEW



J3: DIGITAL VIDEO INPUT 0
- SERIAL 2
- I2C0

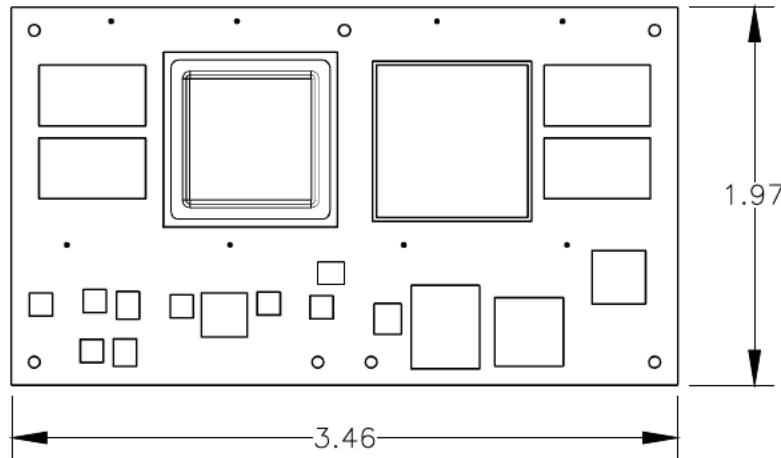
UNLESS OTHERWISE SPECIFIED ALL DIMENSIONS IN INCHES
TOLERANCES ARE:

.XX ±.01
.XXX ±.005

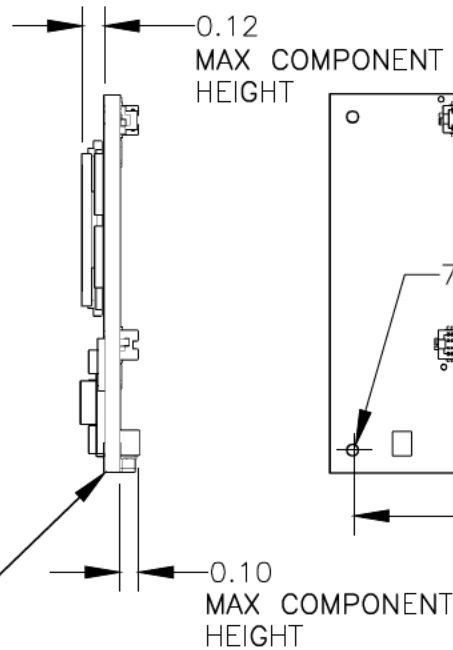
SHEET

1/1

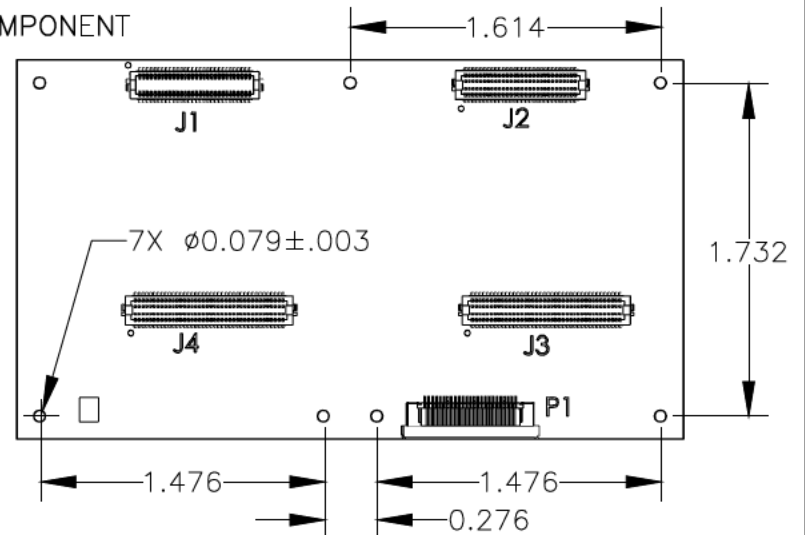
TOP VIEW



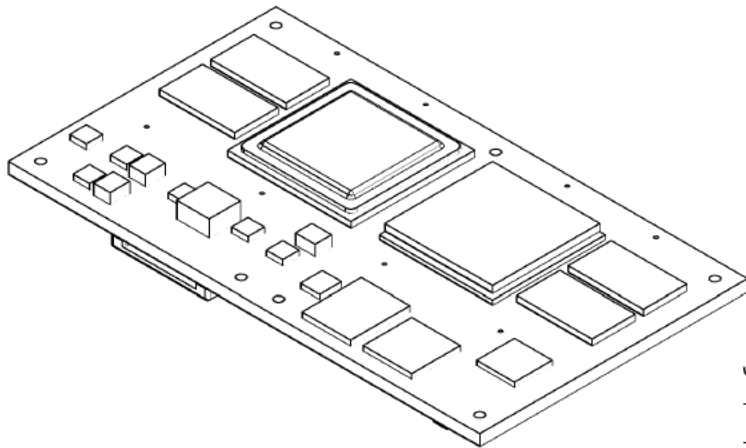
SIDE VIEW



BOTTOM VIEW



ISO A VIEW



J2: DIGITAL VIDEO OUTPUT

- USB
- SERIAL 4
- I2C0

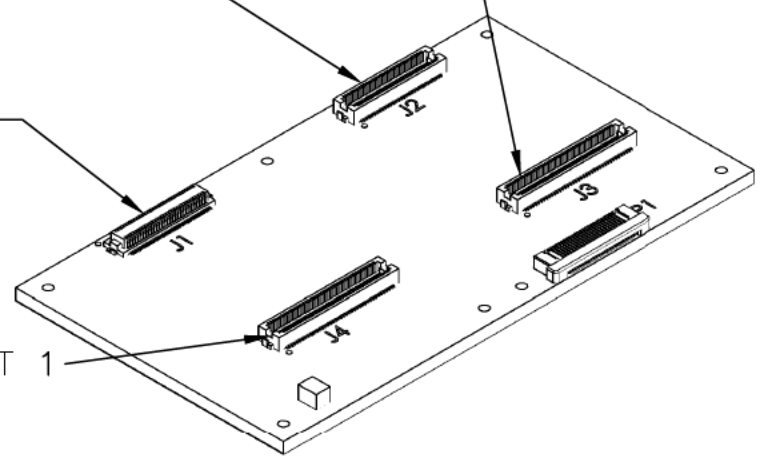
J1: IO CONNECTOR

- POWER IN
- HDMI
- ETHERNET
- SERIAL 0 AND 1
- MICRO SD CARD

J4: DIGITAL VIDEO INPUT 1

- SERIAL 3
- I2C3

ISO B VIEW



J3: DIGITAL VIDEO INPUT 0
- SERIAL 2
- I2C0

UNLESS OTHERWISE SPECIFIED ALL DIMENSIONS IN INCHES
TOLERANCES ARE:

.XX ±.01
.XXX ±.005

SHEET

1/1