

A

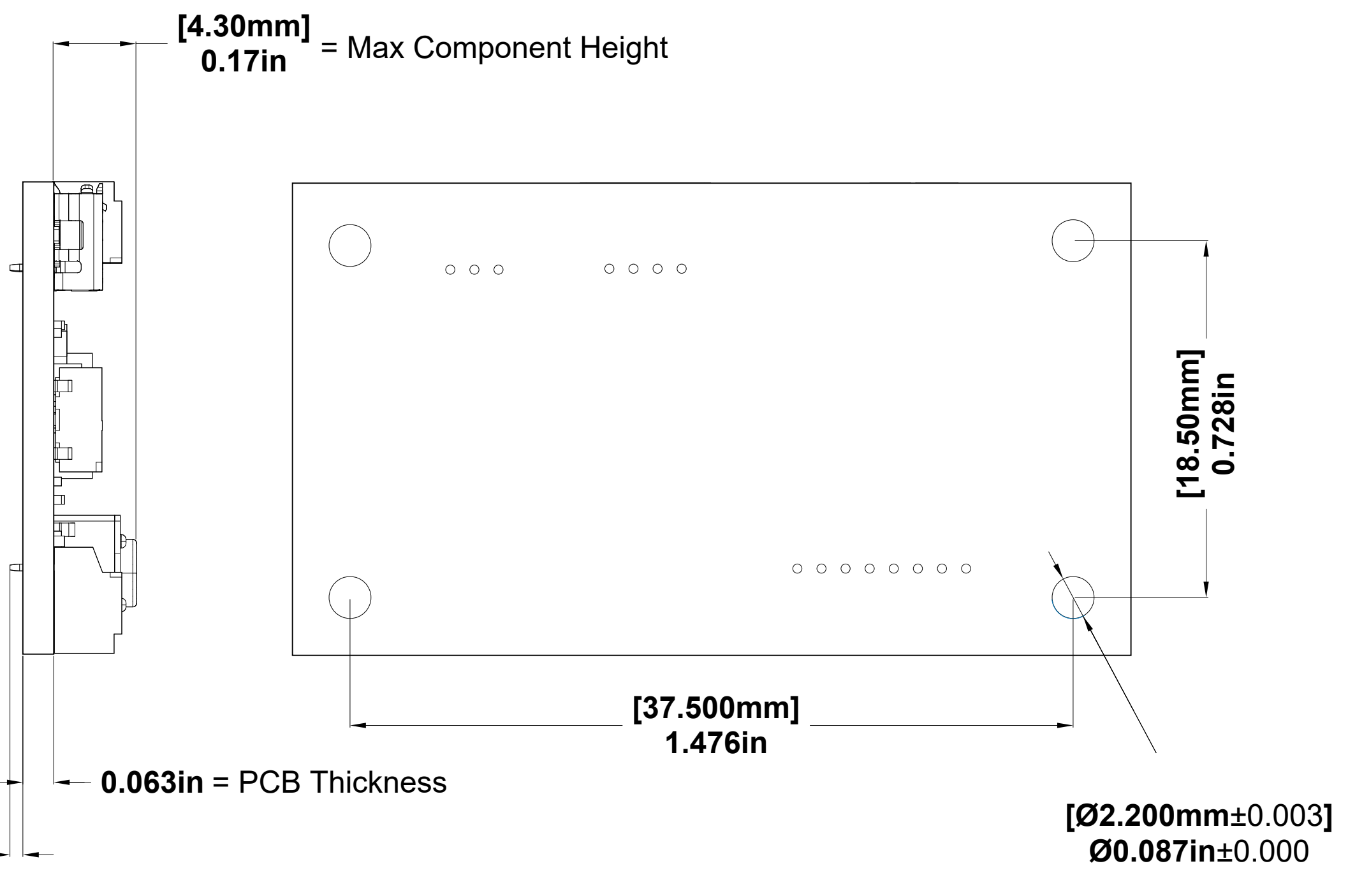
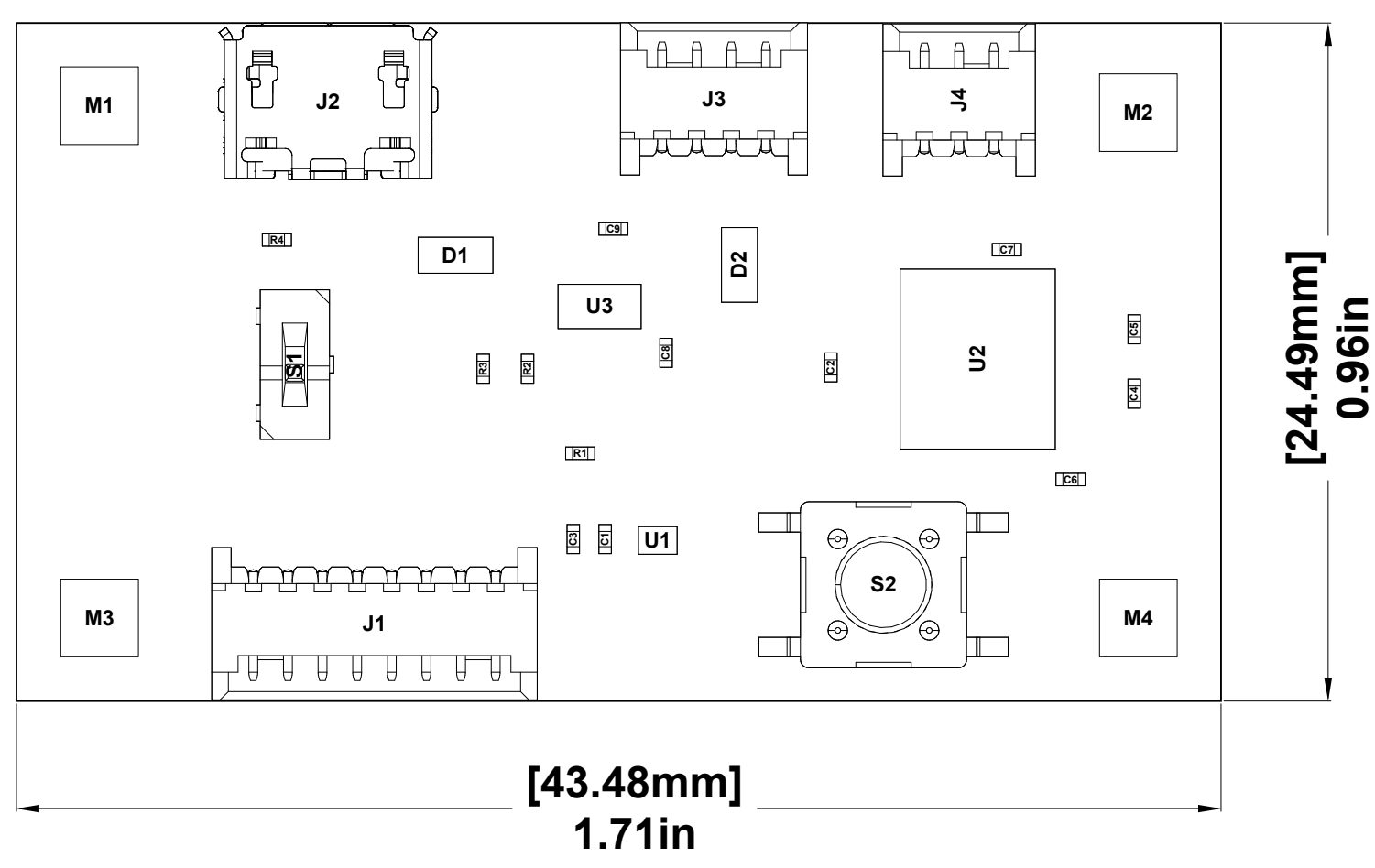
B

C

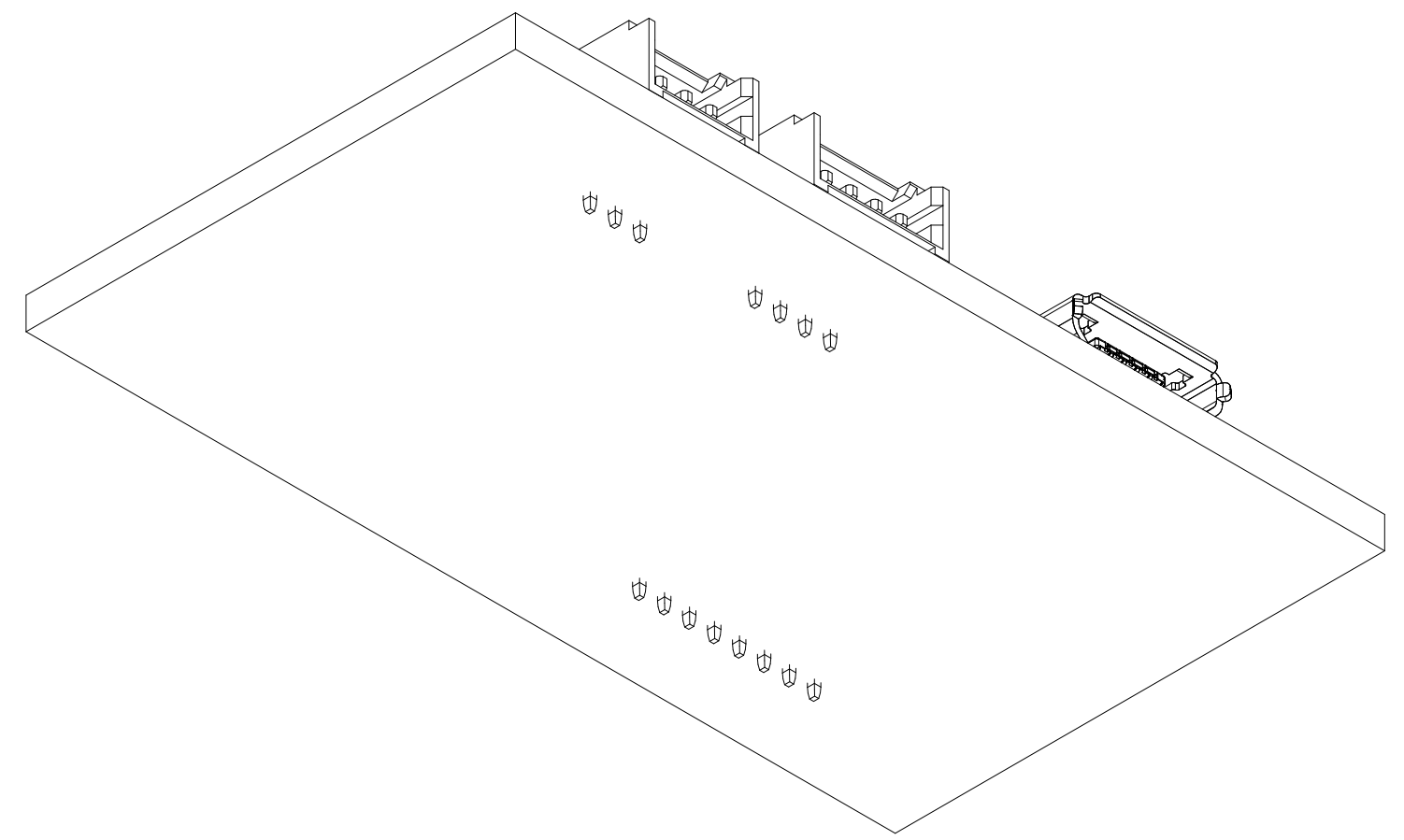
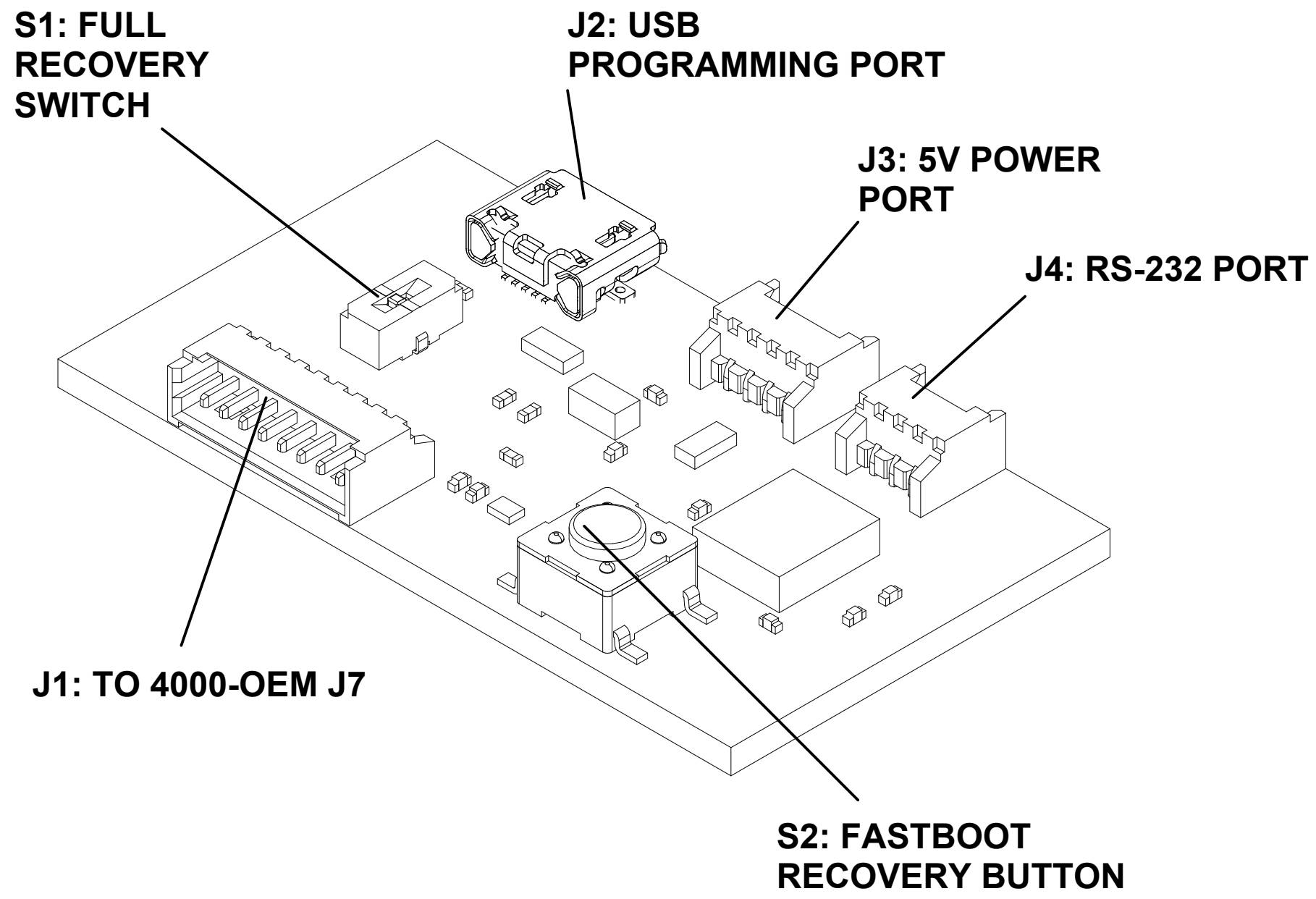
D

E

F



Max Component Height = [0.67mm]
0.03in



UNLESS OTHERWISE SPECIFIED ALL DIMENSIONS IN INCHES
TOLERANCES ARE:

.XX +/- .01
.XXX +/- .005

DIMENSION DRAWING		SightLine APPLICATIONS
PART NUMBER:	4000-RECOVERY	
COMPANY NAME:	SIGHTLINE APPLICATIONS INC.	
HARDWARE REV:	A	
DWG REVISION:	A	
DRAWN BY:	W. Howland	
DATE:	6/9/21	
SIZE:	ANSI C	