

A

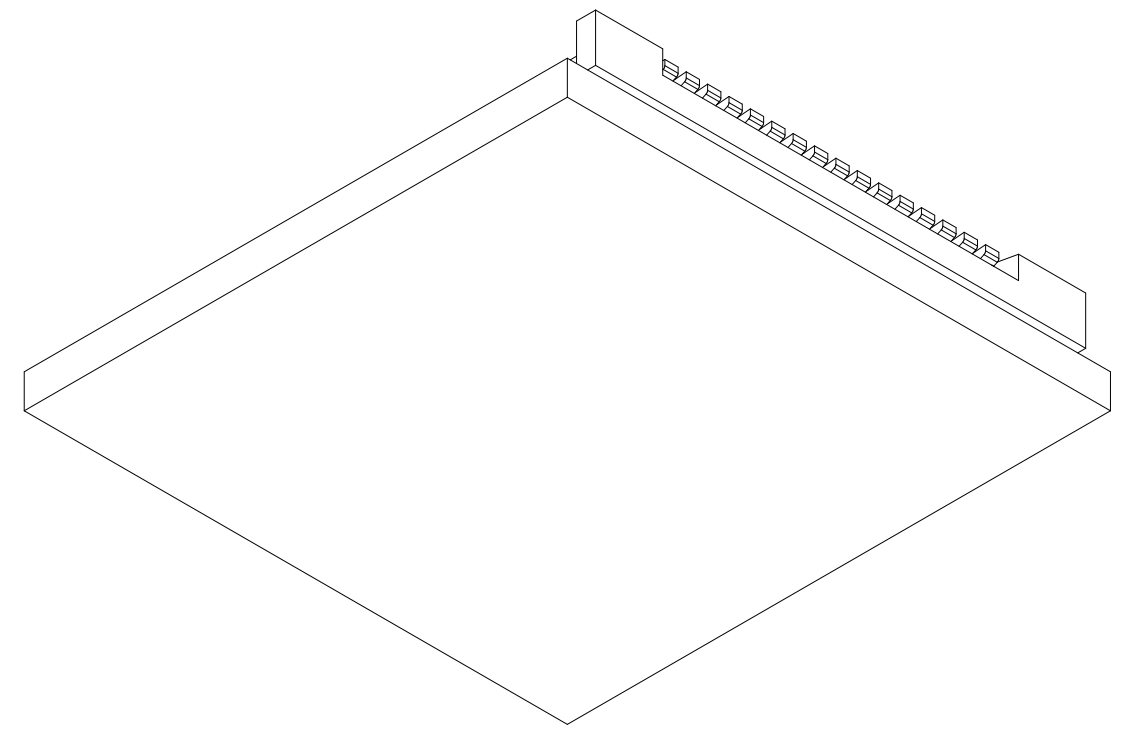
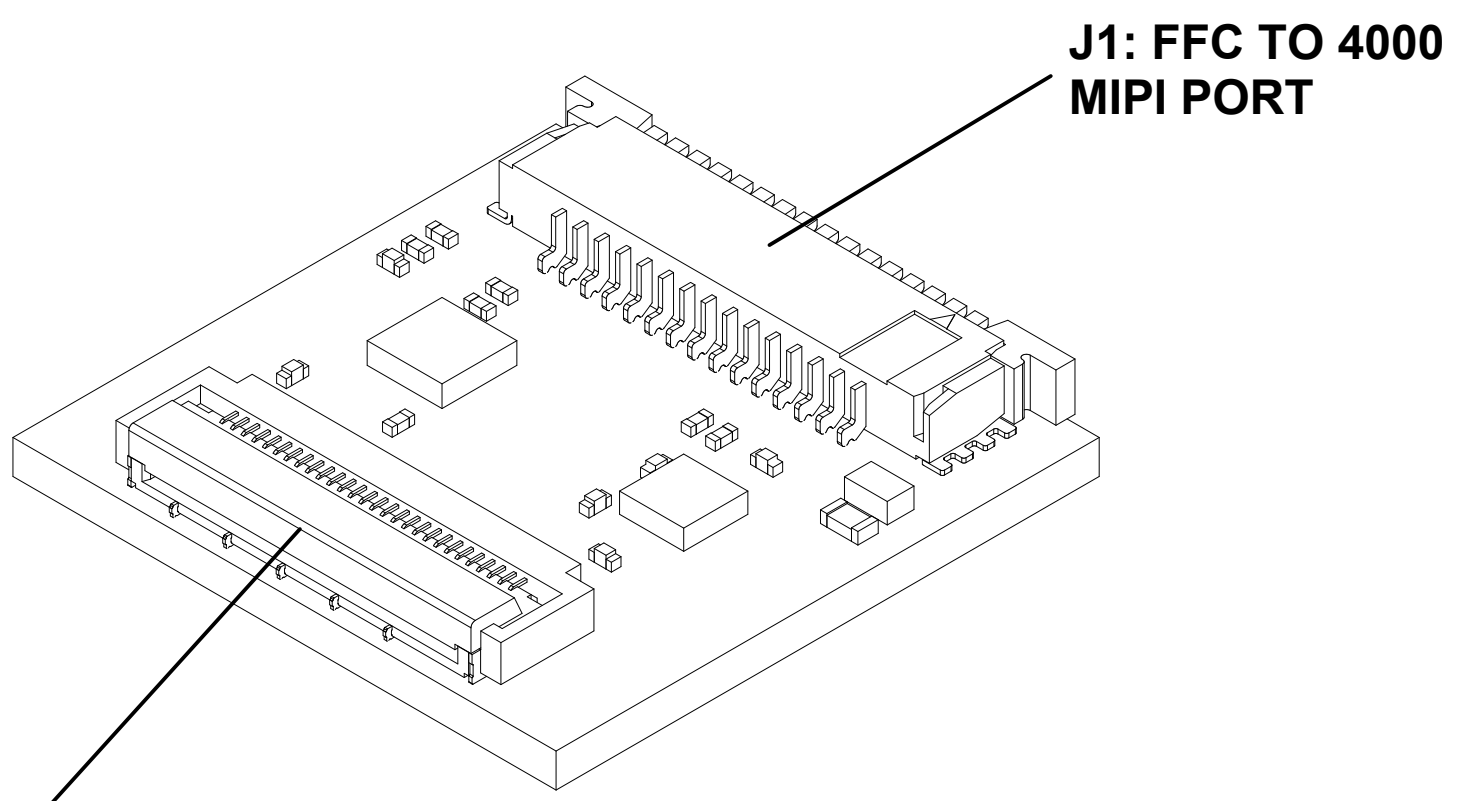
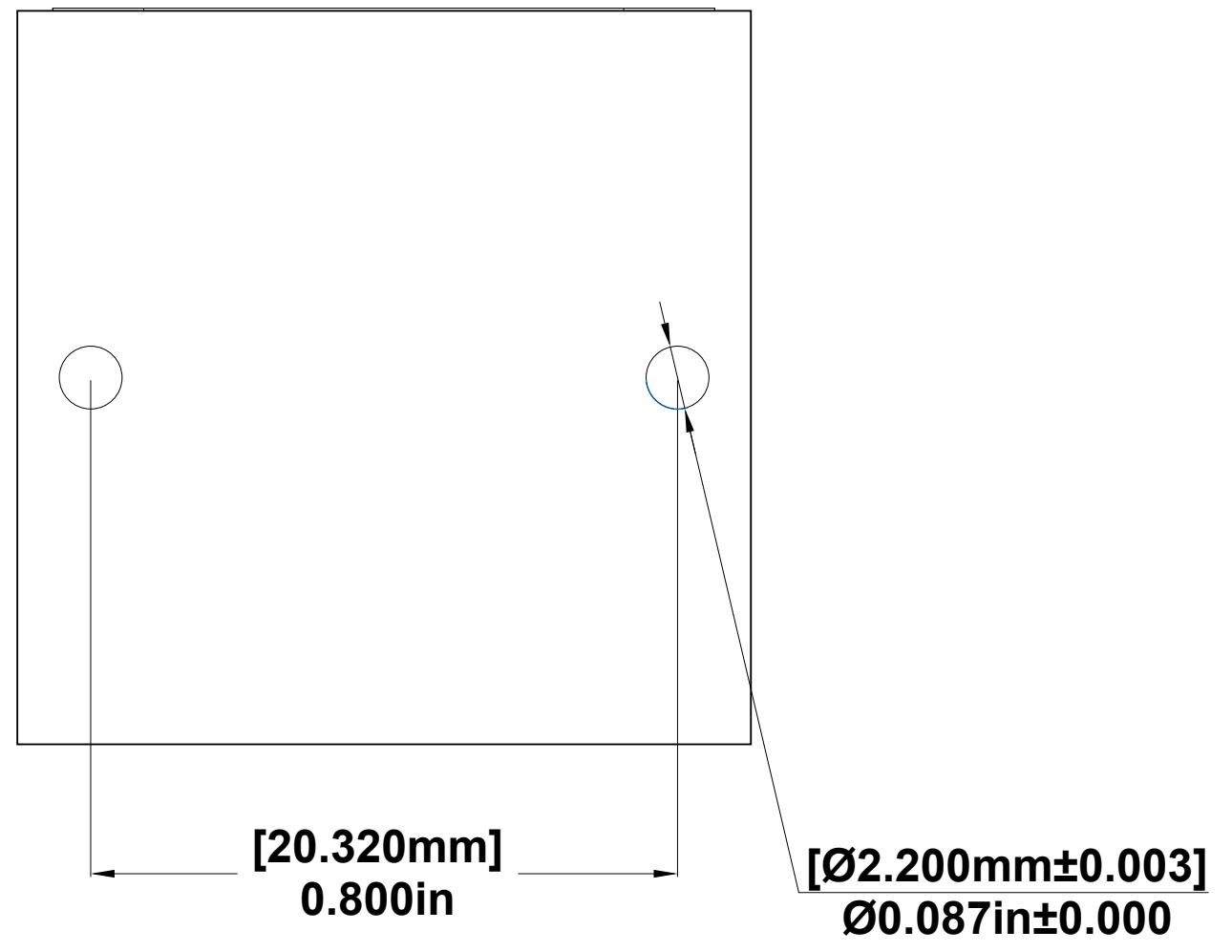
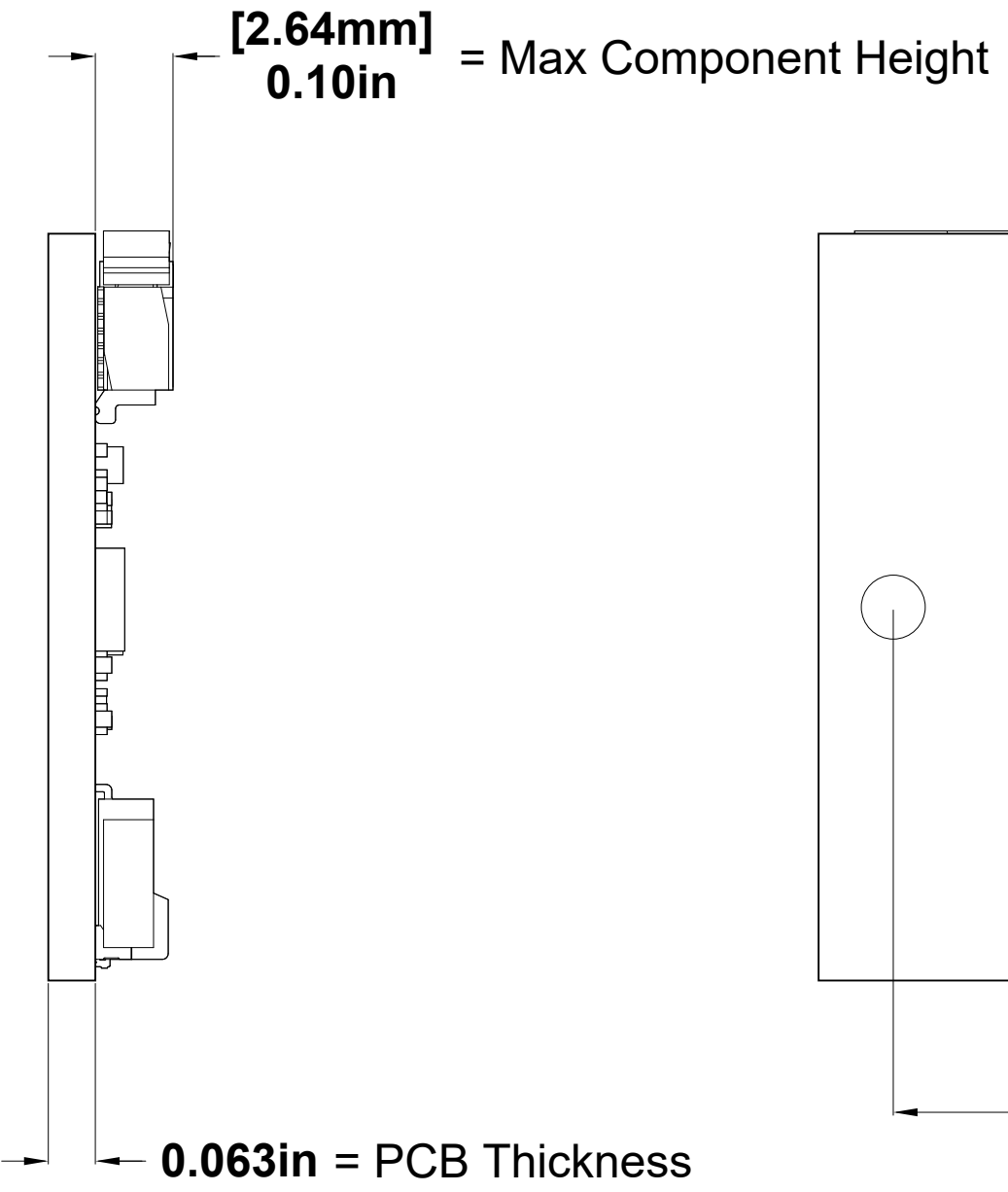
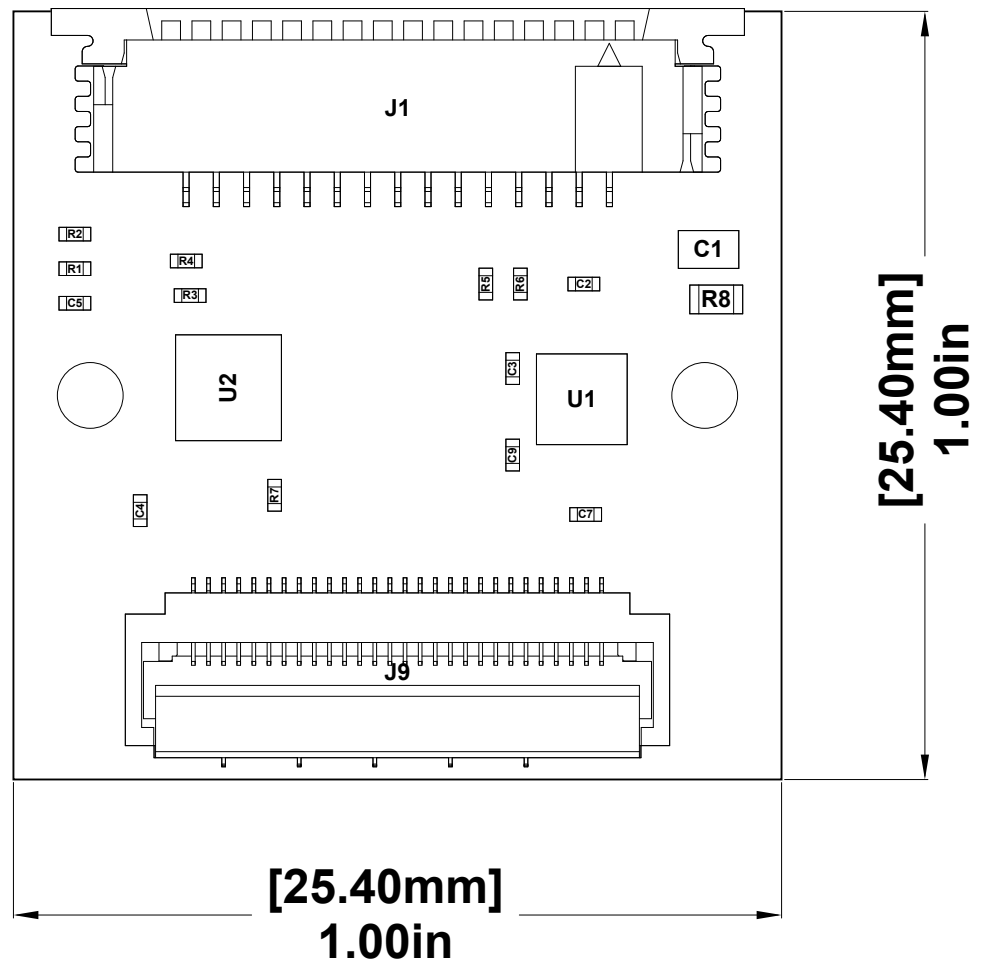
B

C

D

E

F



UNLESS OTHERWISE SPECIFIED ALL DIMENSIONS IN INCHES
TOLERANCES ARE:

.XX +/- .01
.XXX +/- .005

DIMENSION DRAWING		
PART NUMBER:	SLA4000-PI15	
COMPANY NAME:	SIGHTLINE APPLICATIONS INC.	
HARDWARE REV:	B	
DWG REVISION:	A	
DRAWN BY:	WMH	
SIZE: ANSI C		SHEET 1 OF 1

A

B

C

D

E

F