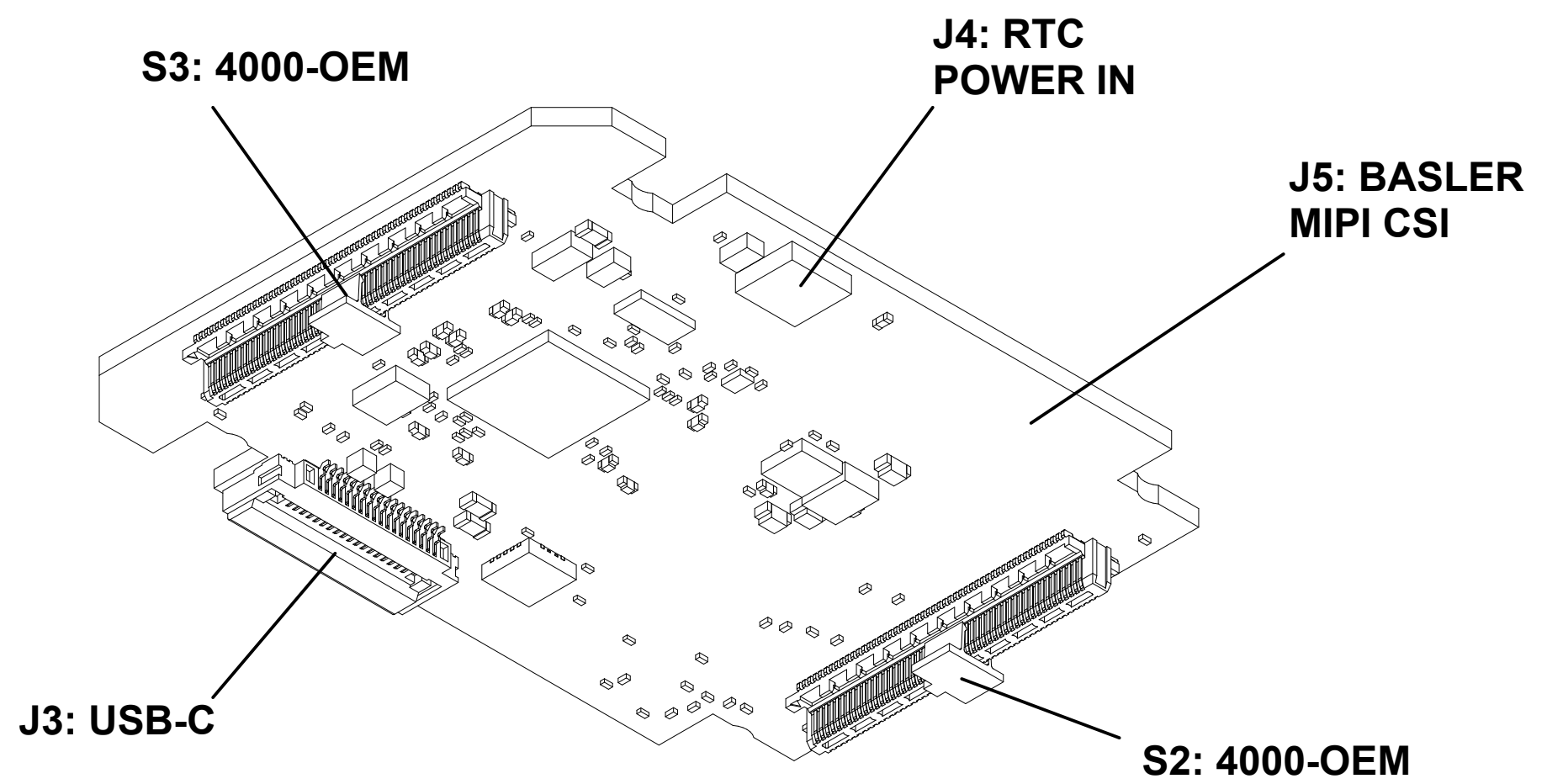
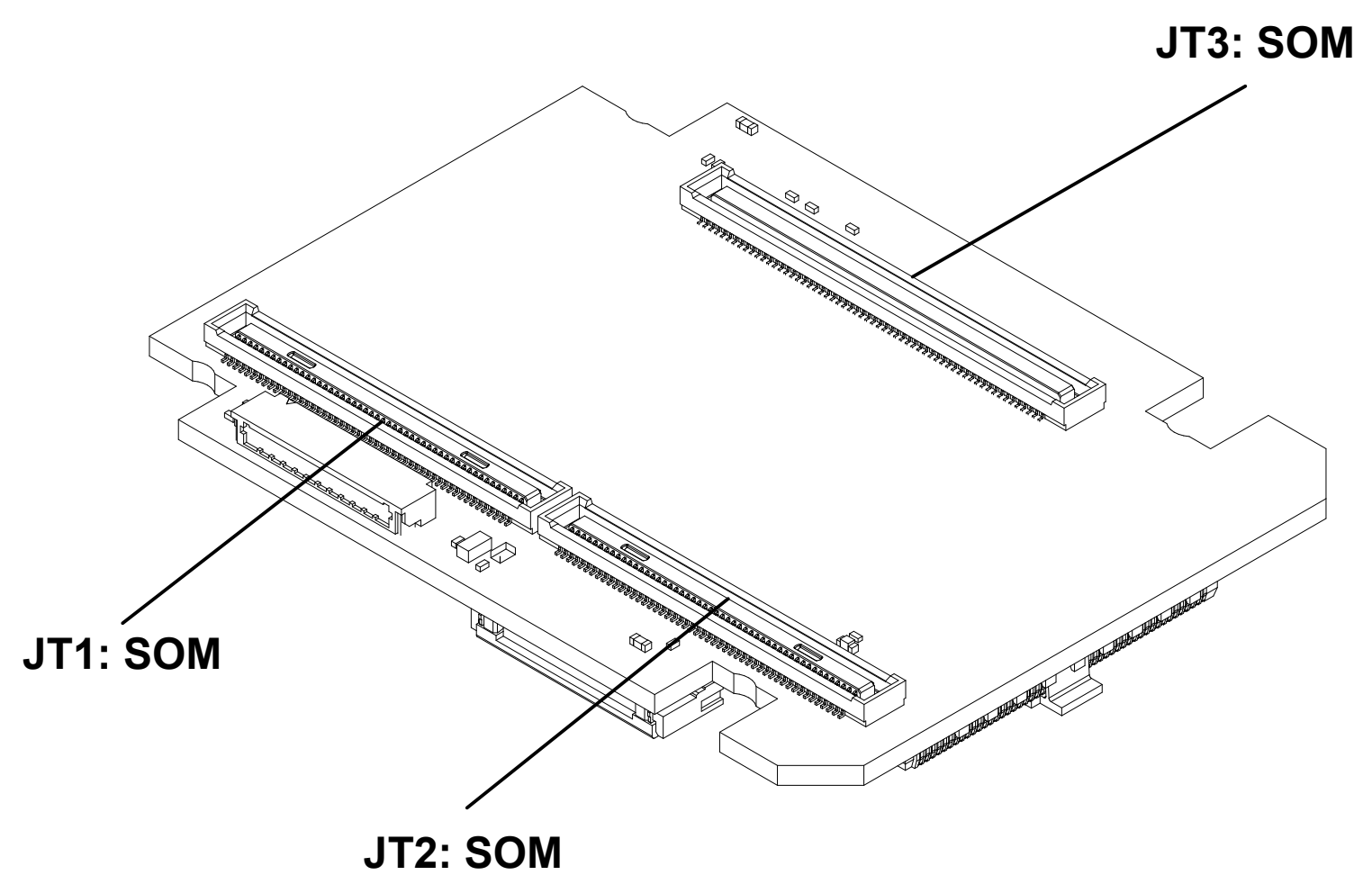
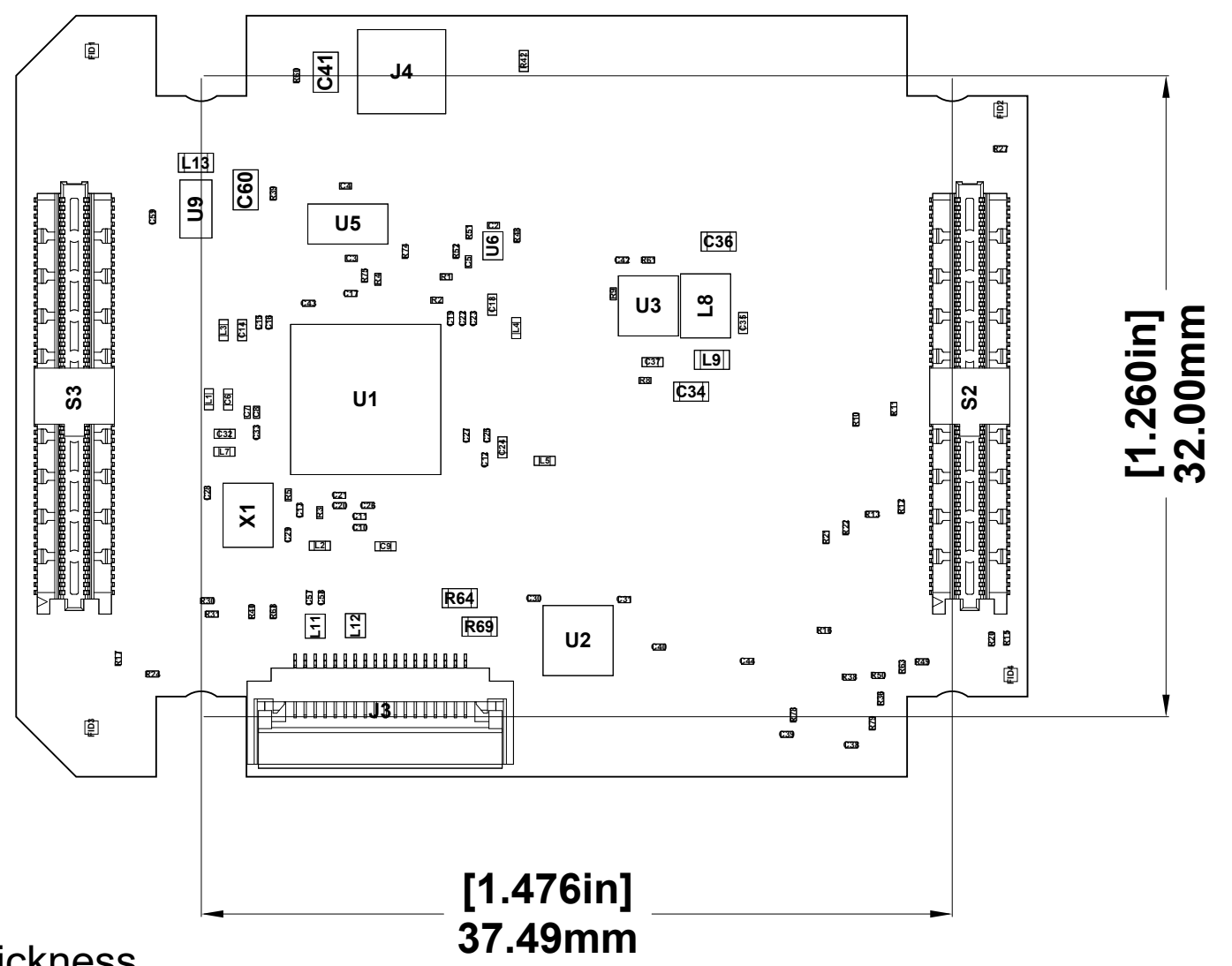


Max Component Height = [0.140in] 3.56mm

[0.068in] 1.74mm = Max Component Height

0.048in = PCB Thickness



UNLESS OTHERWISE SPECIFIED ALL DIMENSIONS IN INCHES TOLERANCES ARE:

.XX +/- .01
.XXX +/- .005

DIMENSION DRAWING		
PART NUMBER:	SLA-4100-INT	
COMPANY NAME:	SIGHTLINE APPLICATIONS INC.	
HARDWARE REV:	A1	
DWG REVISION:	A1	
DRAWN BY:	WMH	
SIZE:	ANSI C	
		SHEET 1 OF 1