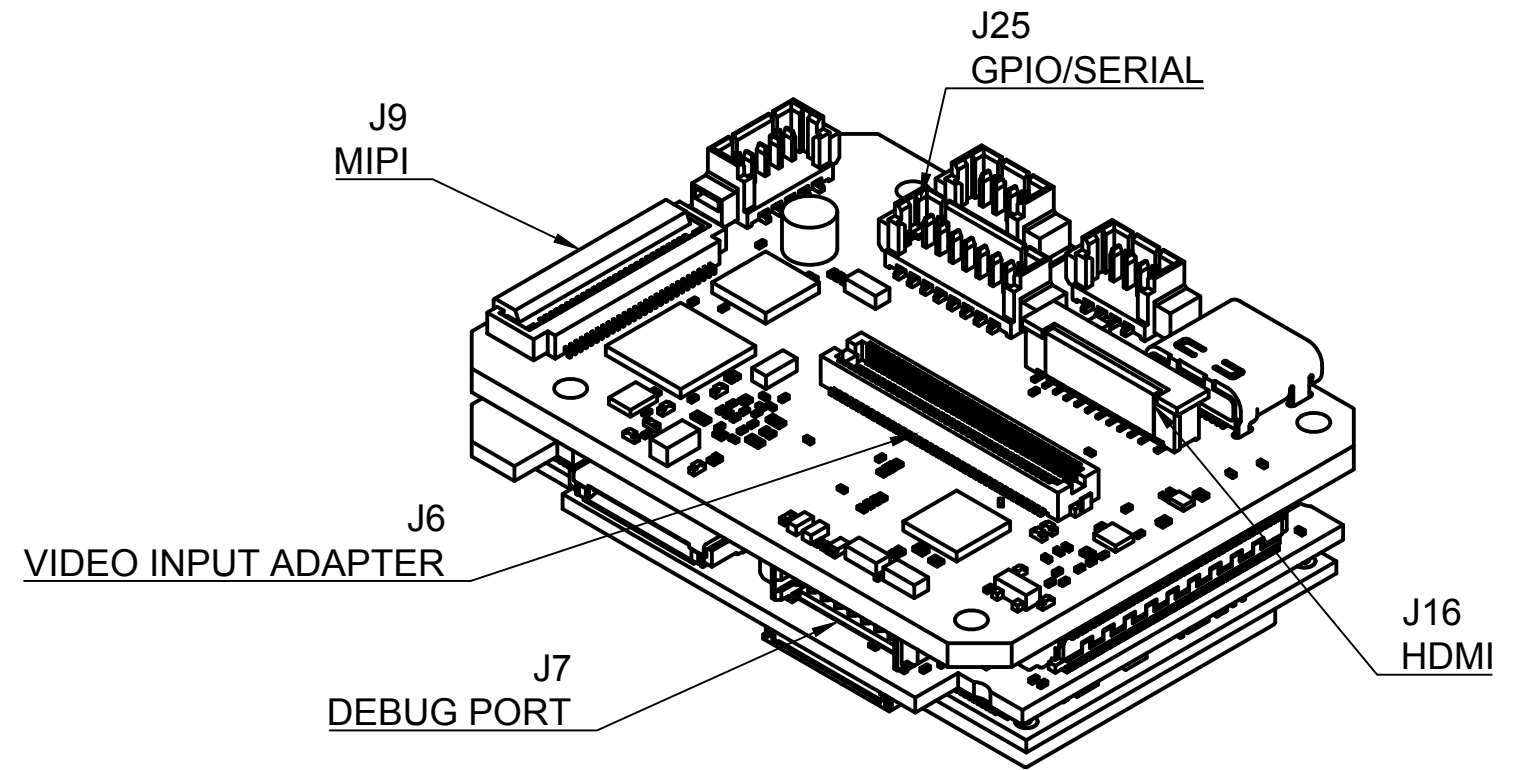
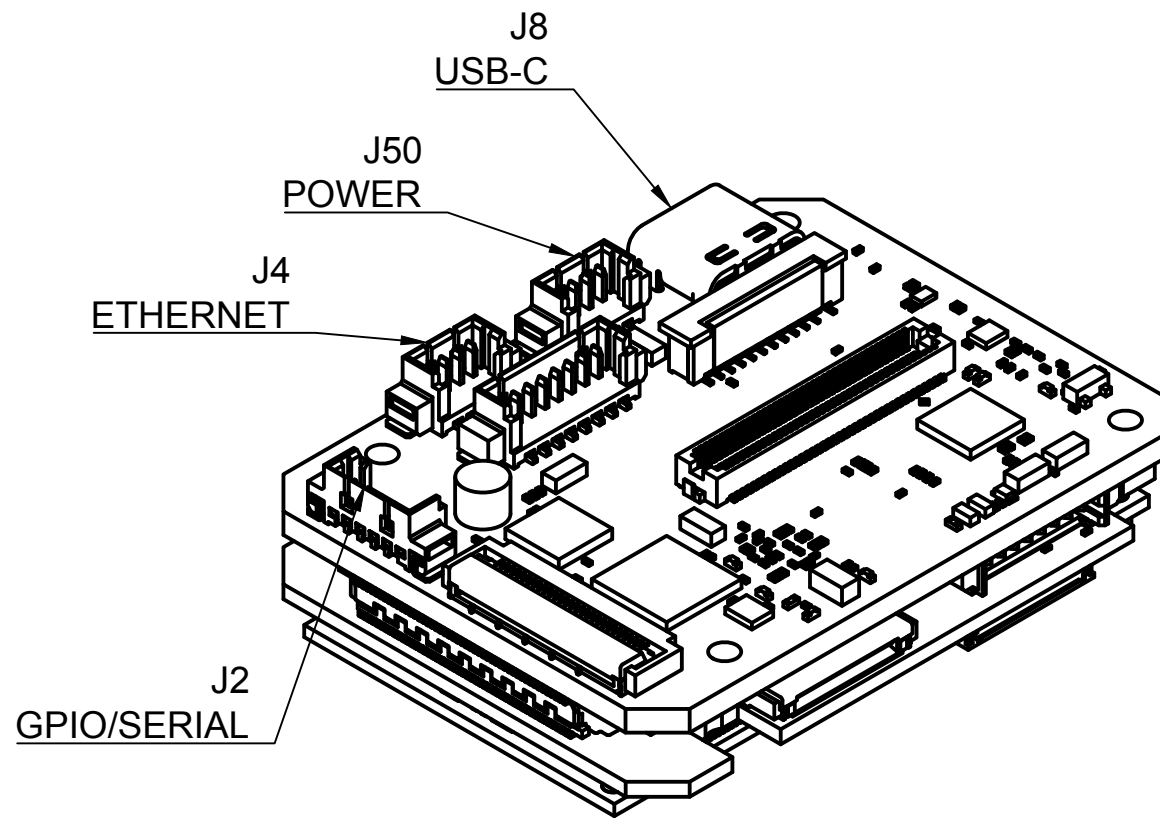
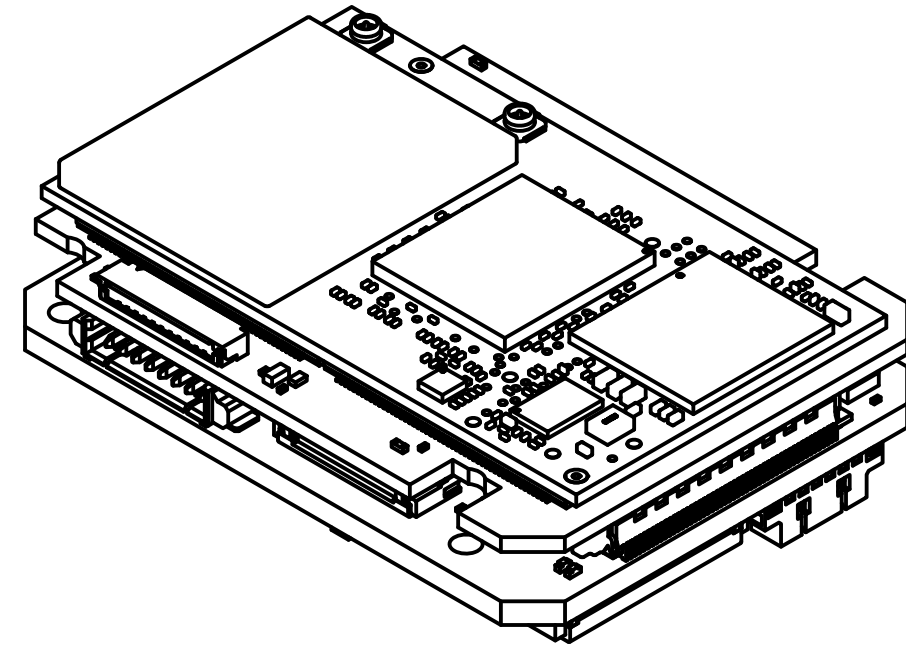
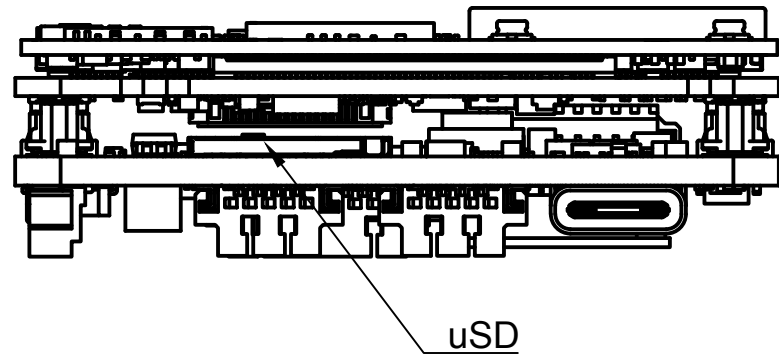


UNLESS OTHERWISE SPECIFIED ALL DIMENSIONS IN INCHES
TOLERANCES ARE:

.XX ±.01
.XXX ±.005

SHEET

1/2



UNLESS OTHERWISE SPECIFIED ALL DIMENSIONS IN INCHES
TOLERANCES ARE:
.XX ±.01
.XXX ±.005

SHEET

2/2