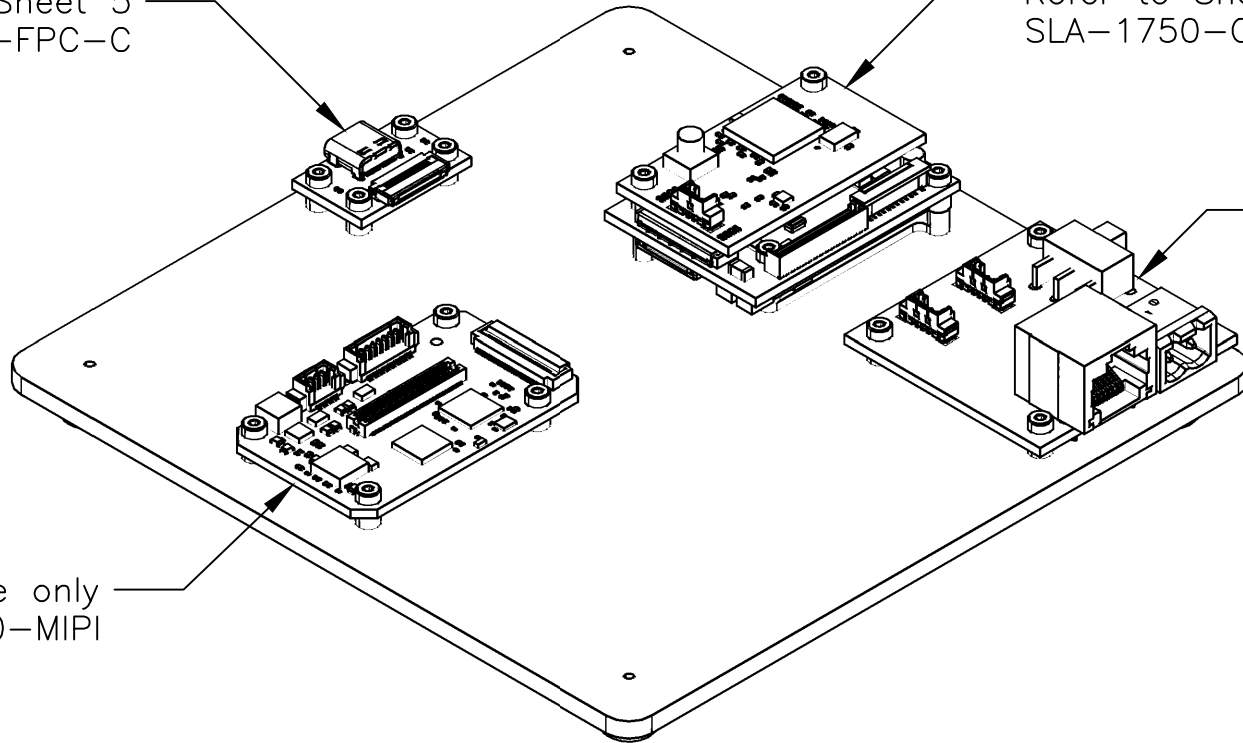


Refer to Sheet 5  
SLA-USB-FPC-C

Refer to Sheet 3  
SLA-1750-OEM

Refer to Sheet 4  
SLA-DIST

Reference only  
SLA-4000-MIPI



UNLESS OTHERWISE SPECIFIED ALL DIMENSIONS IN INCHES  
TOLERANCES ARE:

.XX	±.01
.XXX	±.005

SHEET

1/5

