

A

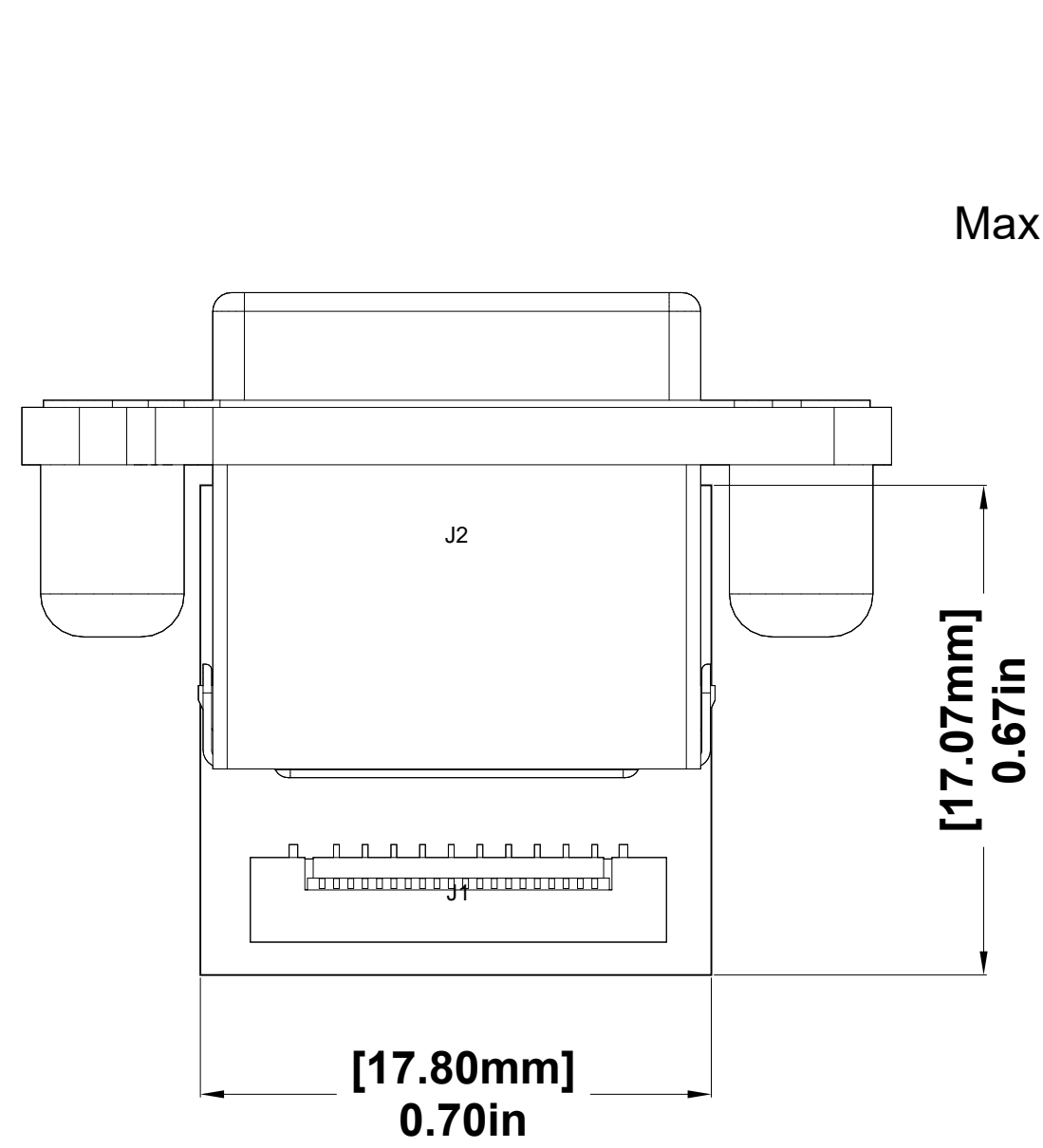
B

C

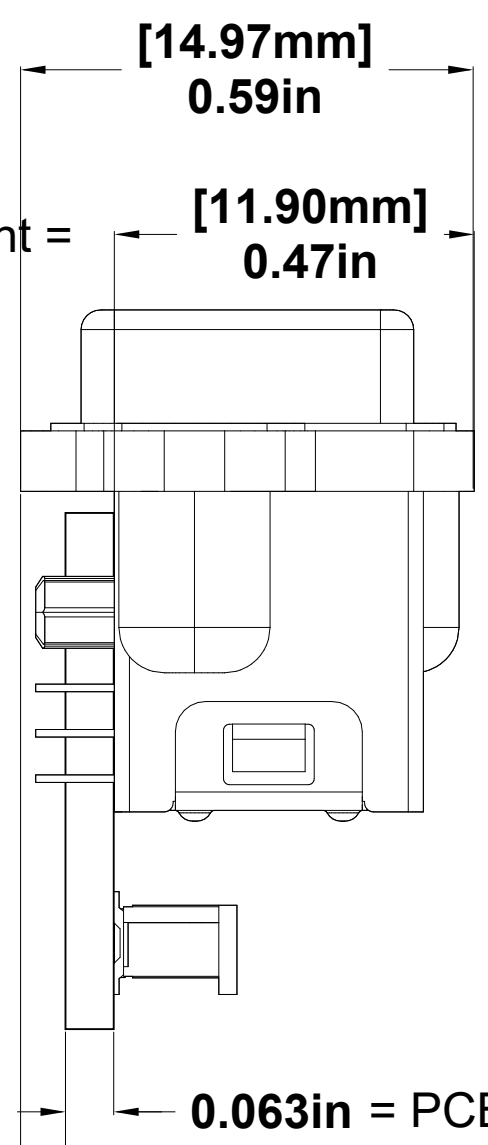
D

E

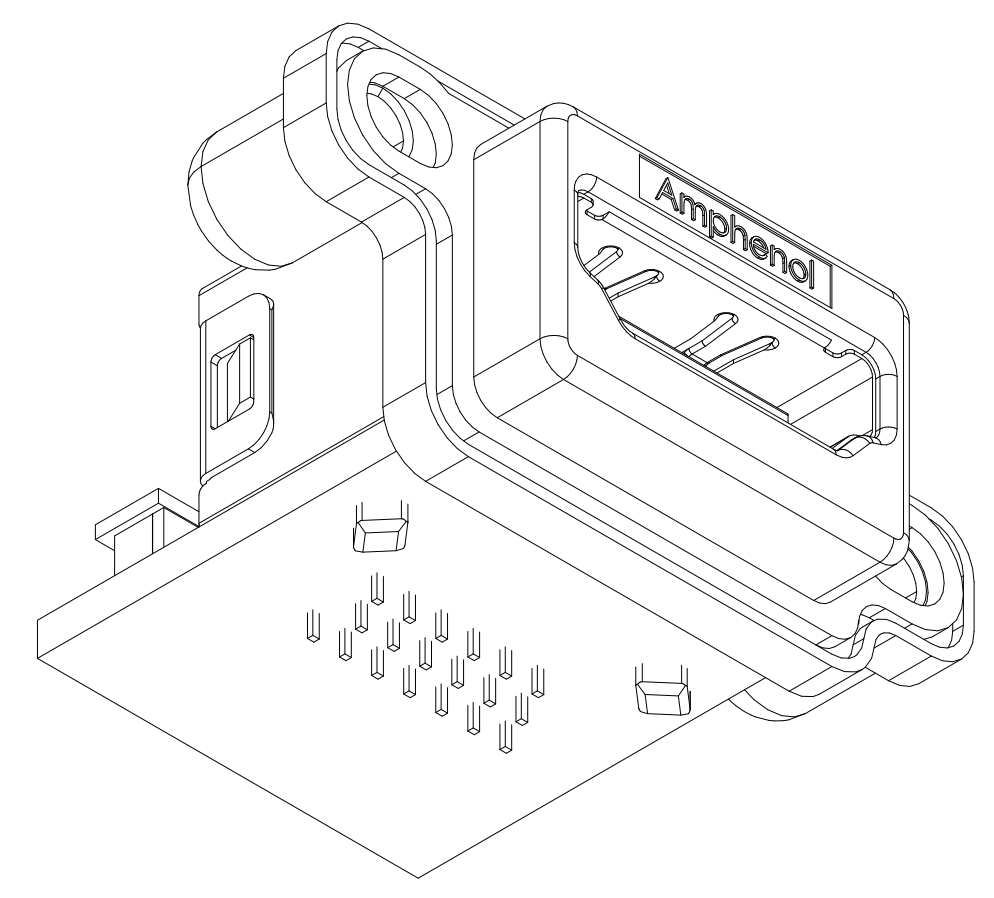
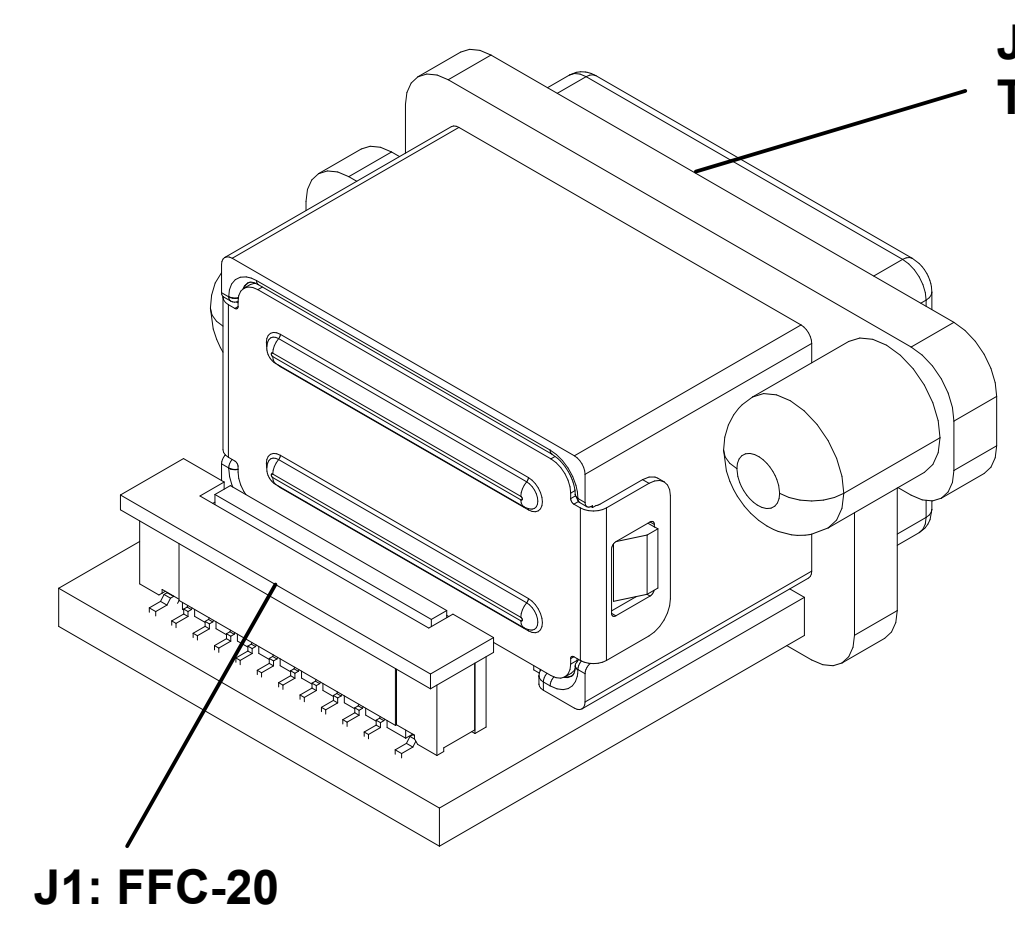
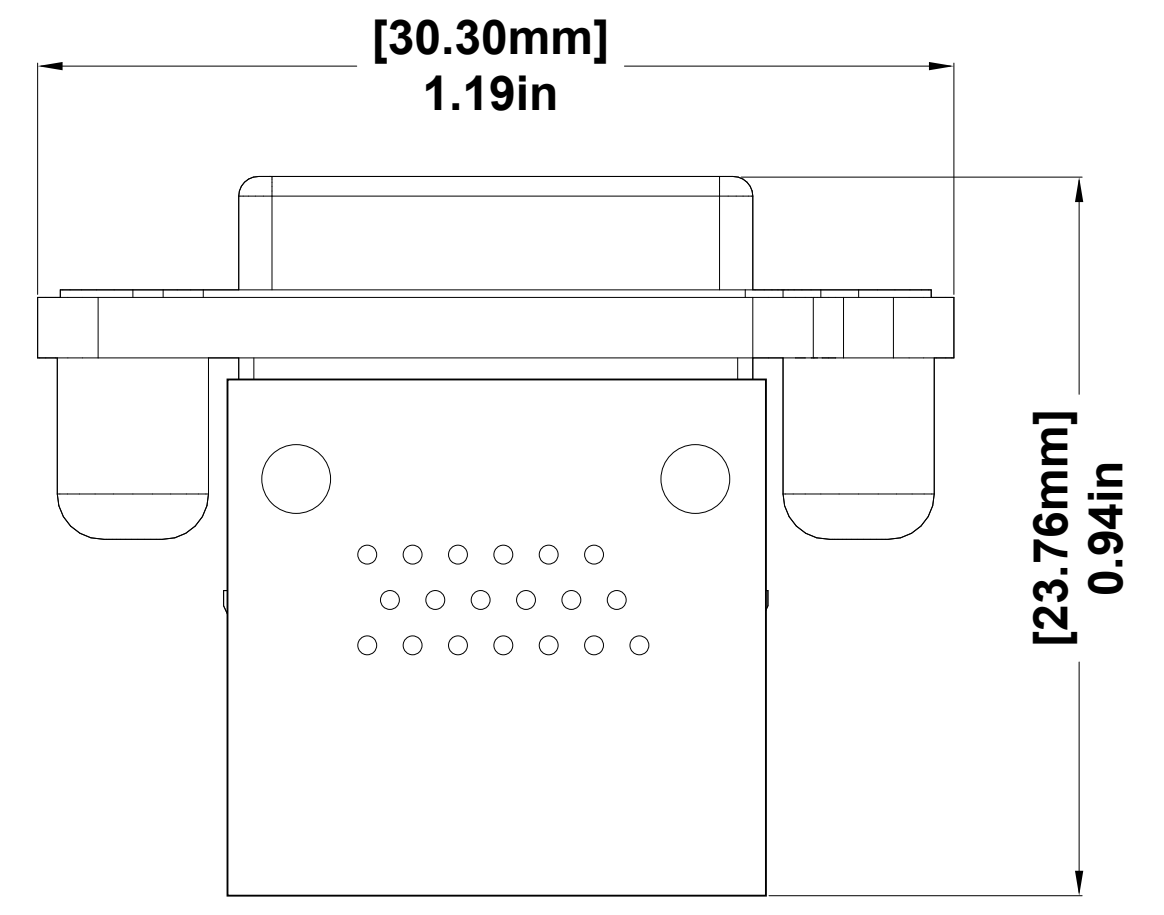
F



Max Component Height =



Max Component Height = [1.48mm] 0.06in



UNLESS OTHERWISE SPECIFIED ALL DIMENSIONS IN INCHES
TOLERANCES ARE:

.XX	+/- .01
.XXX	+/- .005

DIMENSION DRAWING		SightLine APPLICATIONS
PART NUMBER:	SLA-FFC-HDMI	
COMPANY NAME:	SIGHTLINE APPLICATIONS INC.	
HARDWARE REV:	A	
DWG REVISION:	A	
DRAWN BY:	W. Howland	
DATE:	4/11/17	
SIZE:	ANSI C	

A

B

C

D

E

F