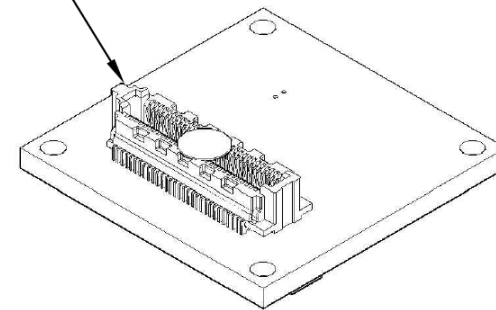


J5: TO QUARK CAMERA



J72: TO FFC ADAPTER BOARD
(USE MOLEX 21020-0323 OR SIMILAR FFC CABLE)

ALL DIMENSIONS ARE IN INCHES
SEE ICD-SLA-FFC-QRK.PDF FOR MORE INFO
DWG REV: B
FILE NAME: SLA-FFC-QRK_BDIMENSION.PDF