

A

B

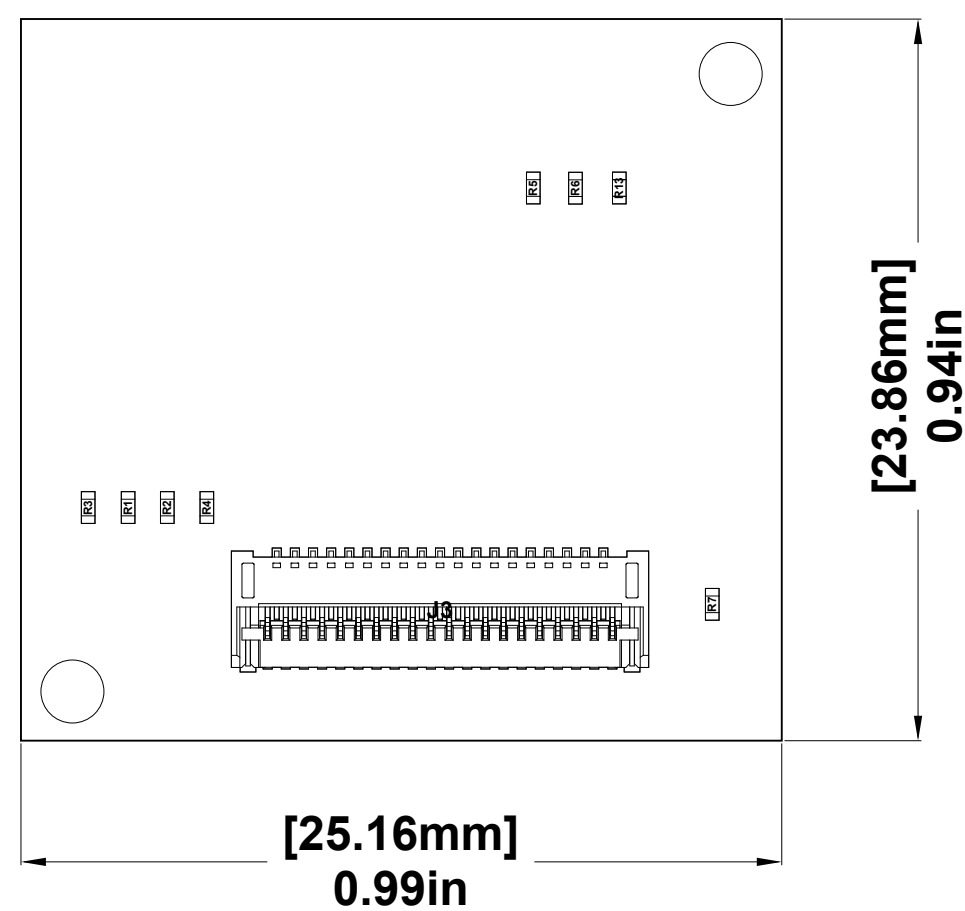
C

D

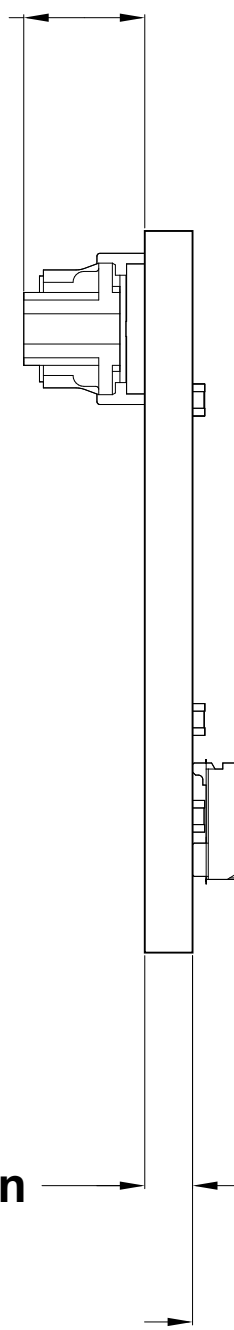
E

F

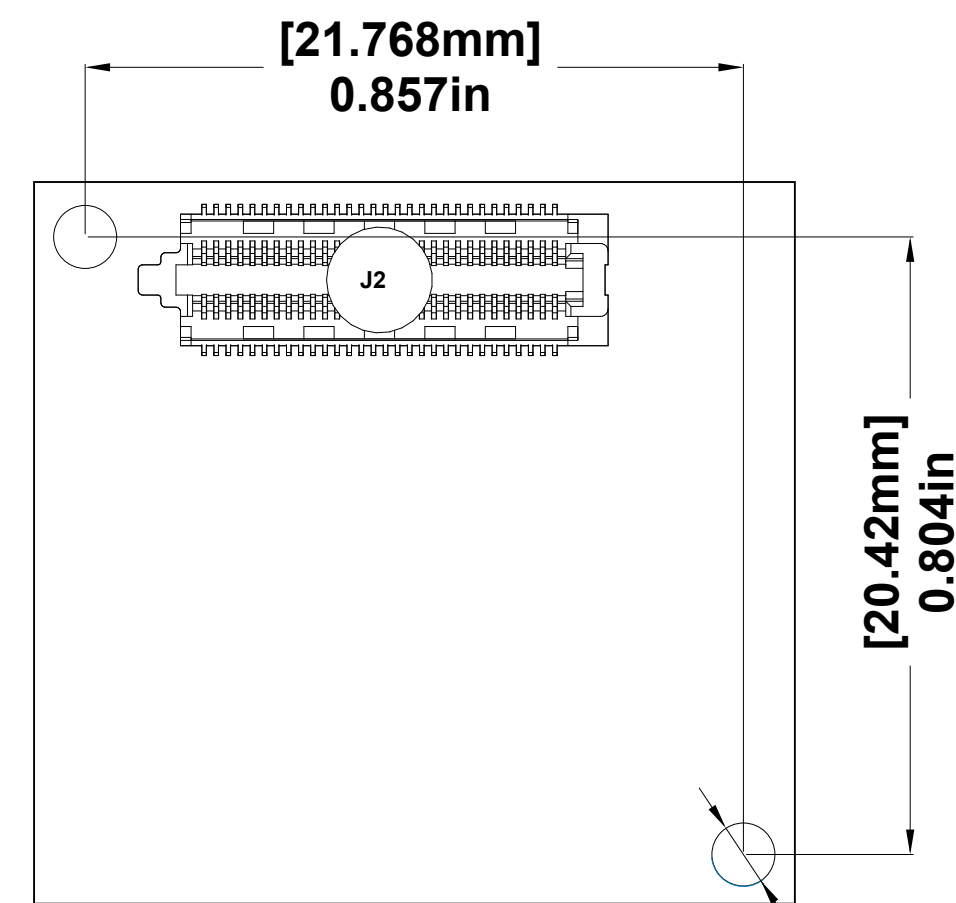
Max Component Height = **[4.002mm]**  
**0.158in**



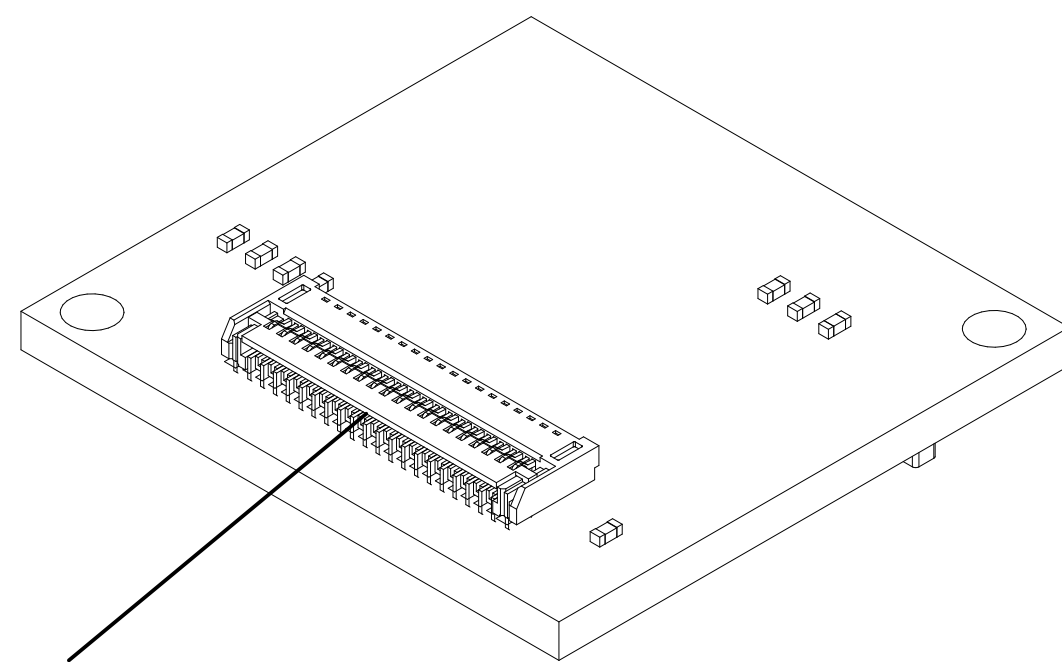
PCB Thickness = **0.062in**



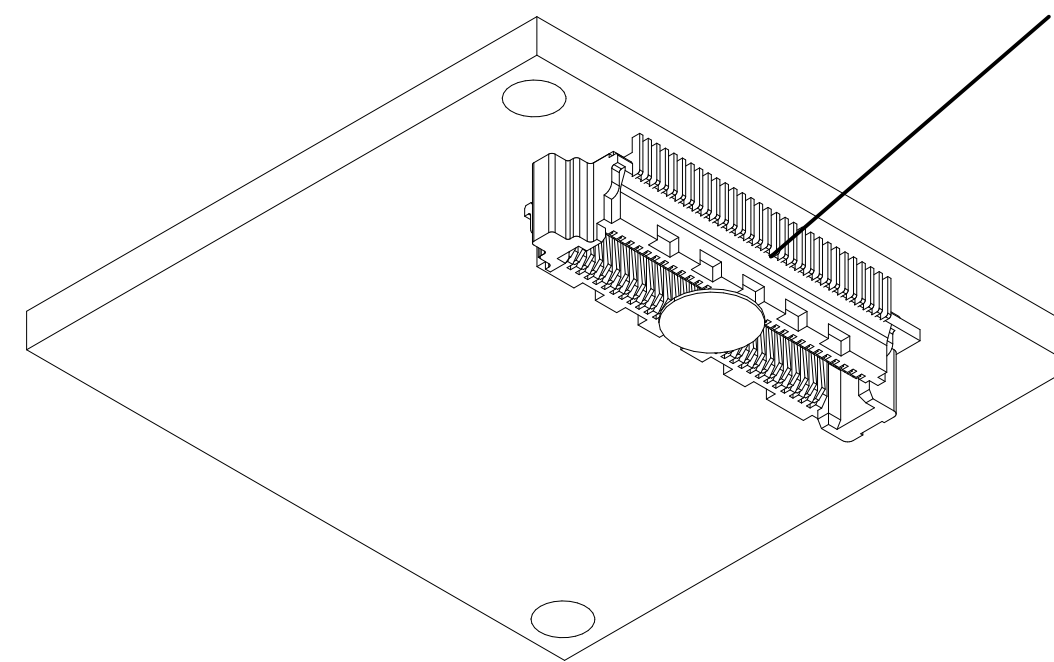
**[1.750mm]**  
**0.069in** = Max Component Height



**[Ø2.108mm±0.003]**  
**Ø0.083in±0.000**



**J3: FPC Connector to SLA FPC Adapter board**



**J2: To DRS Camera**

UNLESS OTHERWISE SPECIFIED ALL DIMENSIONS IN INCHES  
TOLERANCES ARE:

.XX +/- .01  
.XXX +/- .005

**DIMENSION DRAWING**



PART NUMBER: SLA-FPC-DRS  
 COMPANY NAME: SIGHTLINE APPLICATIONS INC.  
 HARDWARE REV: B1  
 DWG REVISION: B1  
 DRAWN BY: W. Howland  
 DATE: 5/27/21  
 SIZE: ANSI C

A

B

C

D

E

F