

A

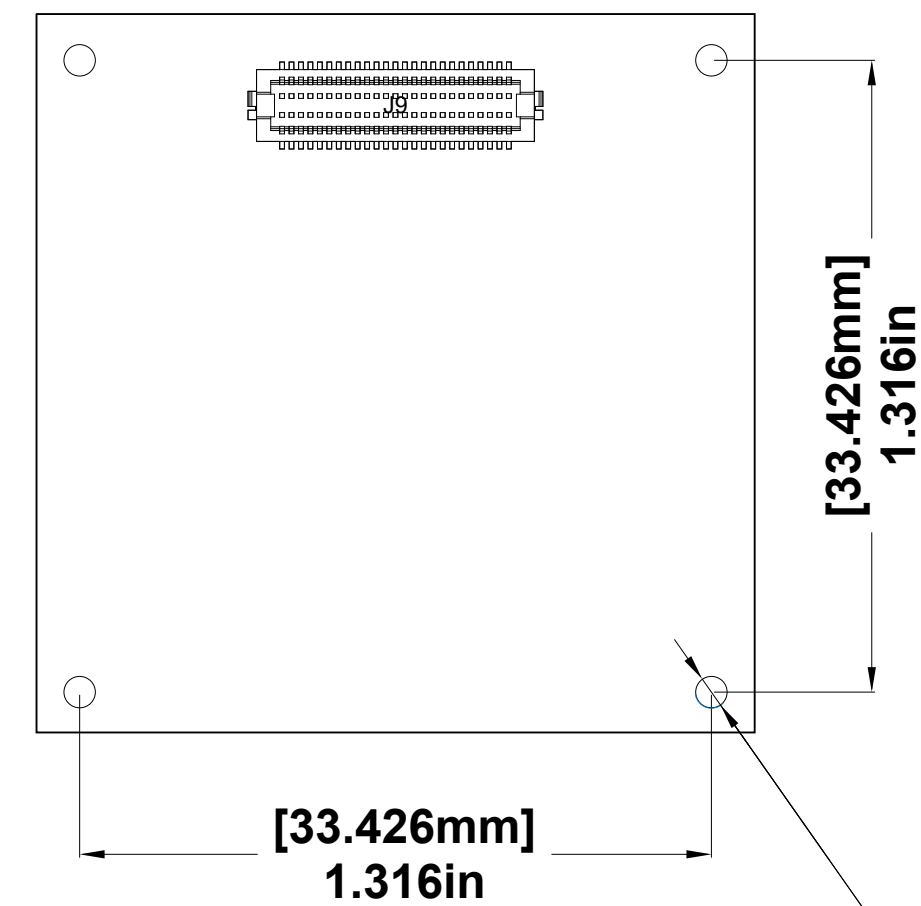
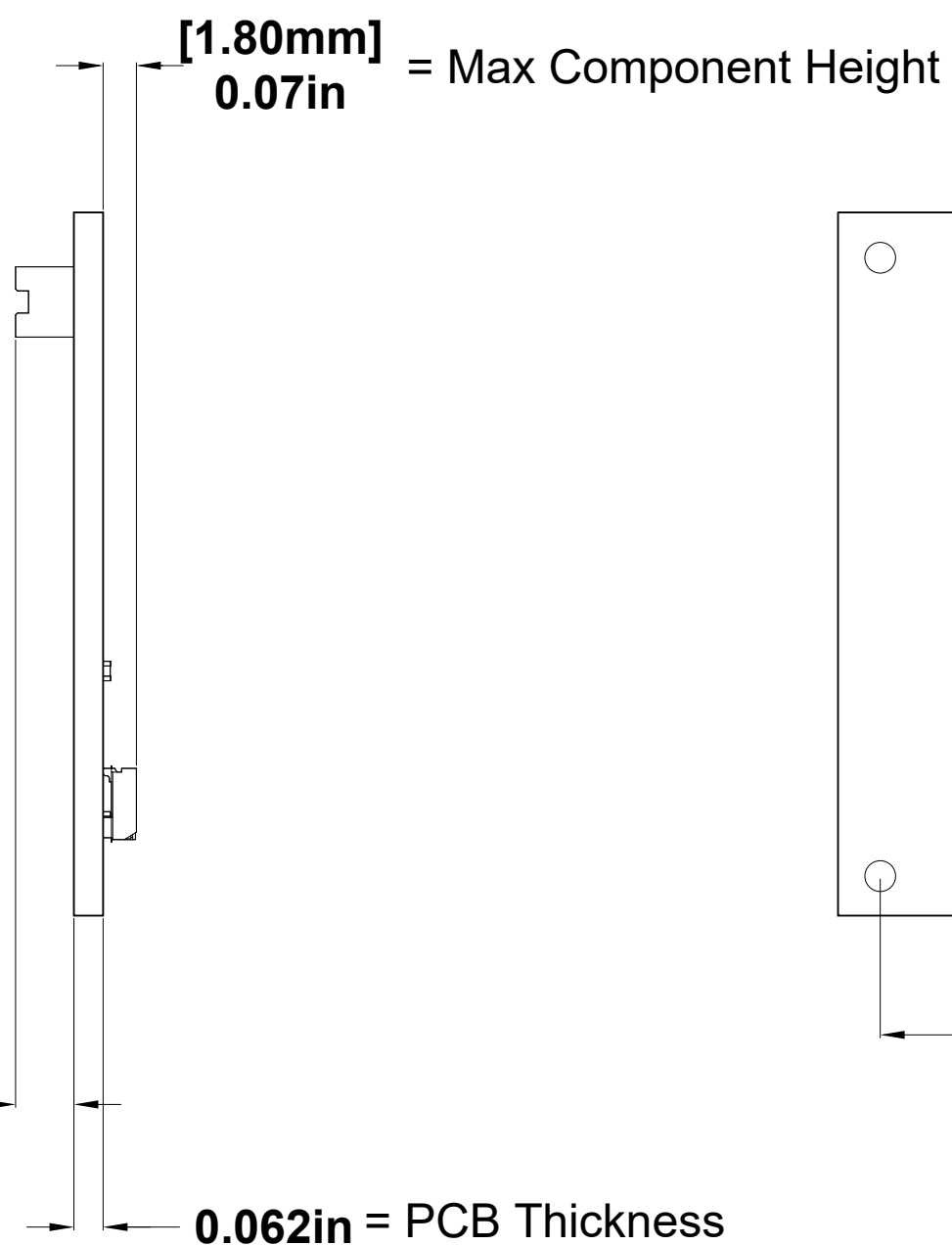
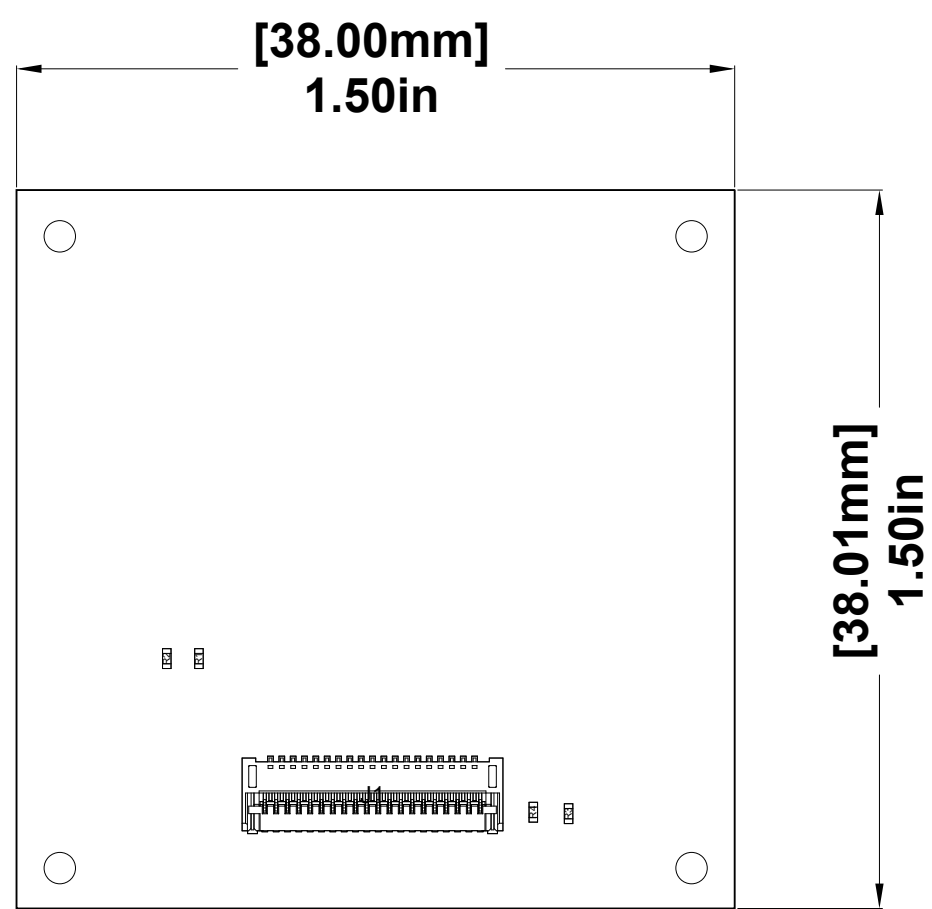
B

C

D

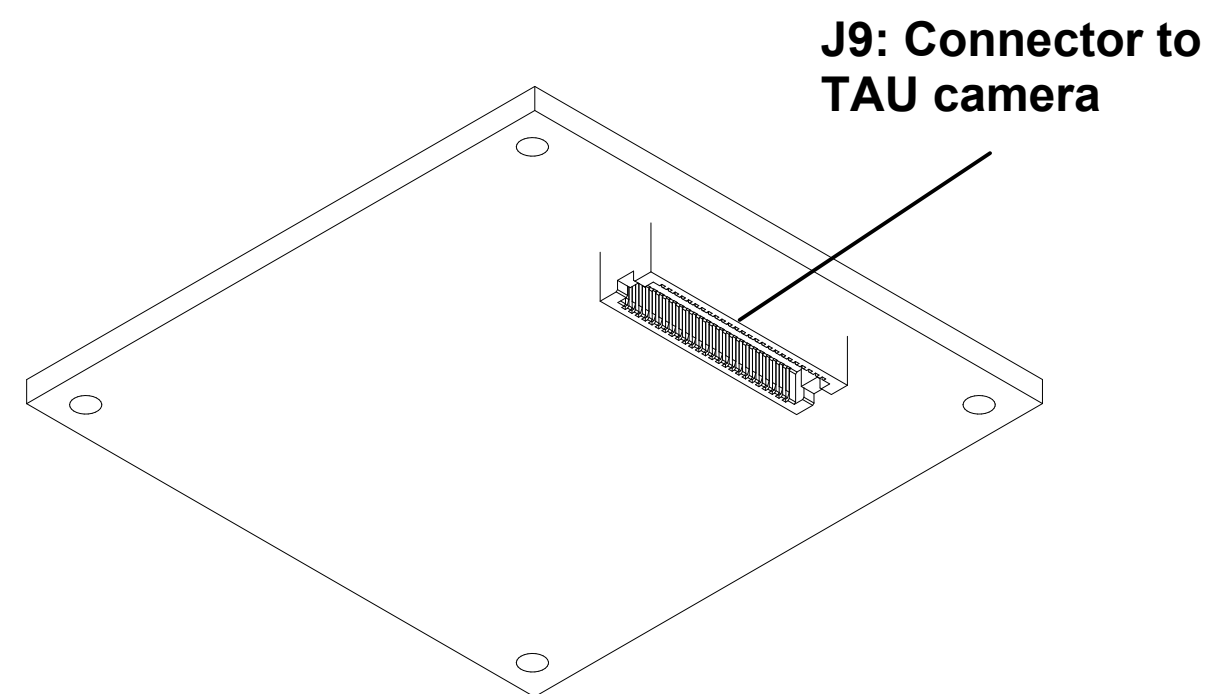
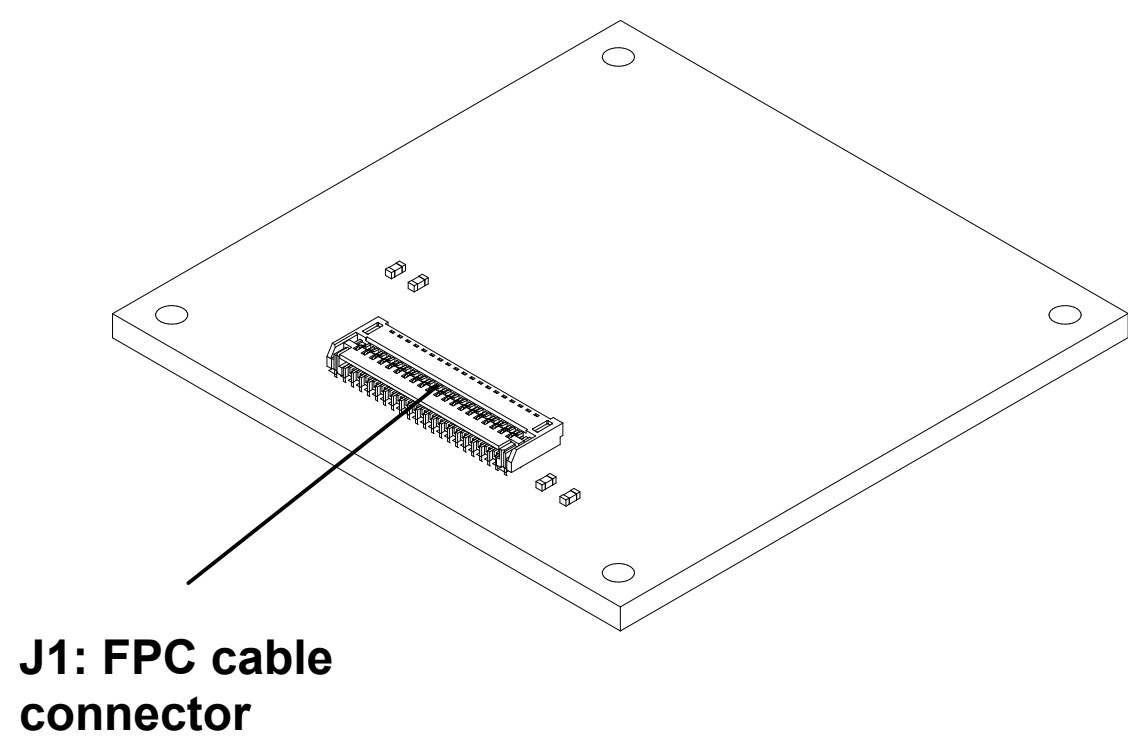
E

F



Max Component Height = **[3.15mm]**  
**0.12in**

**[Ø1.702mm±0.076]**  
**Ø0.067in±0.003**



UNLESS OTHERWISE SPECIFIED ALL DIMENSIONS IN INCHES  
TOLERANCES ARE:

.XX +/- .01  
.XXX +/- .005

**DIMENSION DRAWING**



PART NUMBER: SLA-FPC-TAU  
 COMPANY NAME: SIGHTLINE APPLICATIONS INC.  
 HARDWARE REV: A  
 DWG REVISION: A  
 DRAWN BY: W. Howland  
 DATE: 11/18/19  
 SIZE: ANSI C

A

B

C

D

E

F