

A

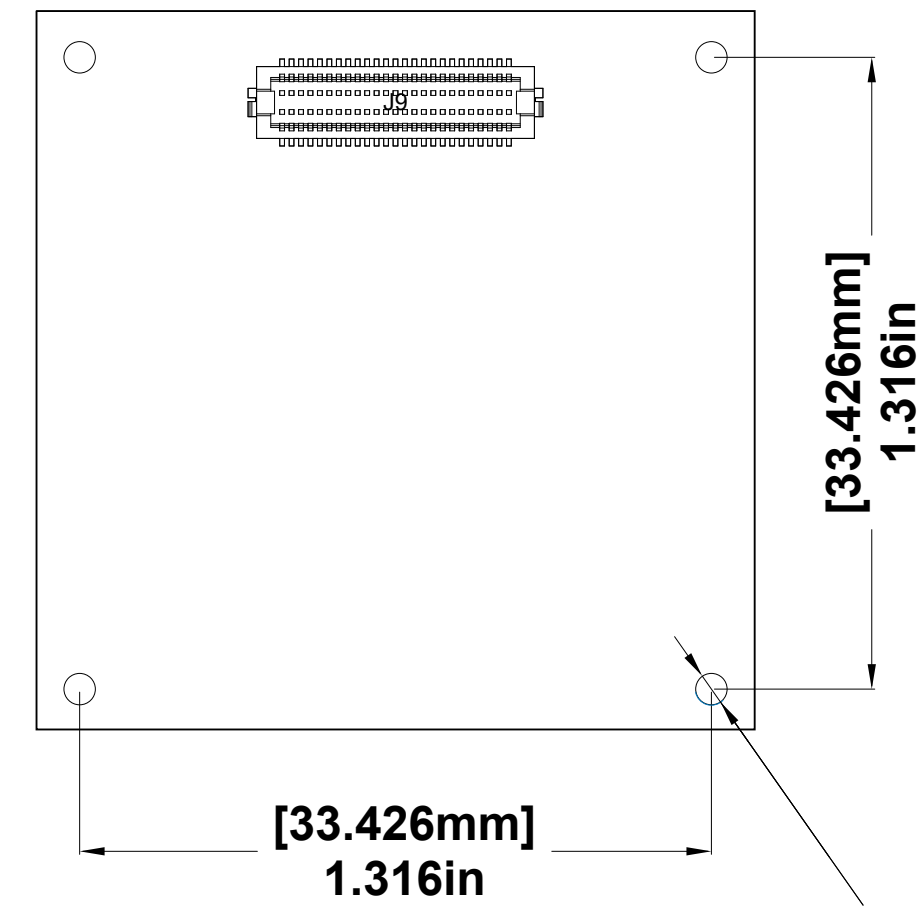
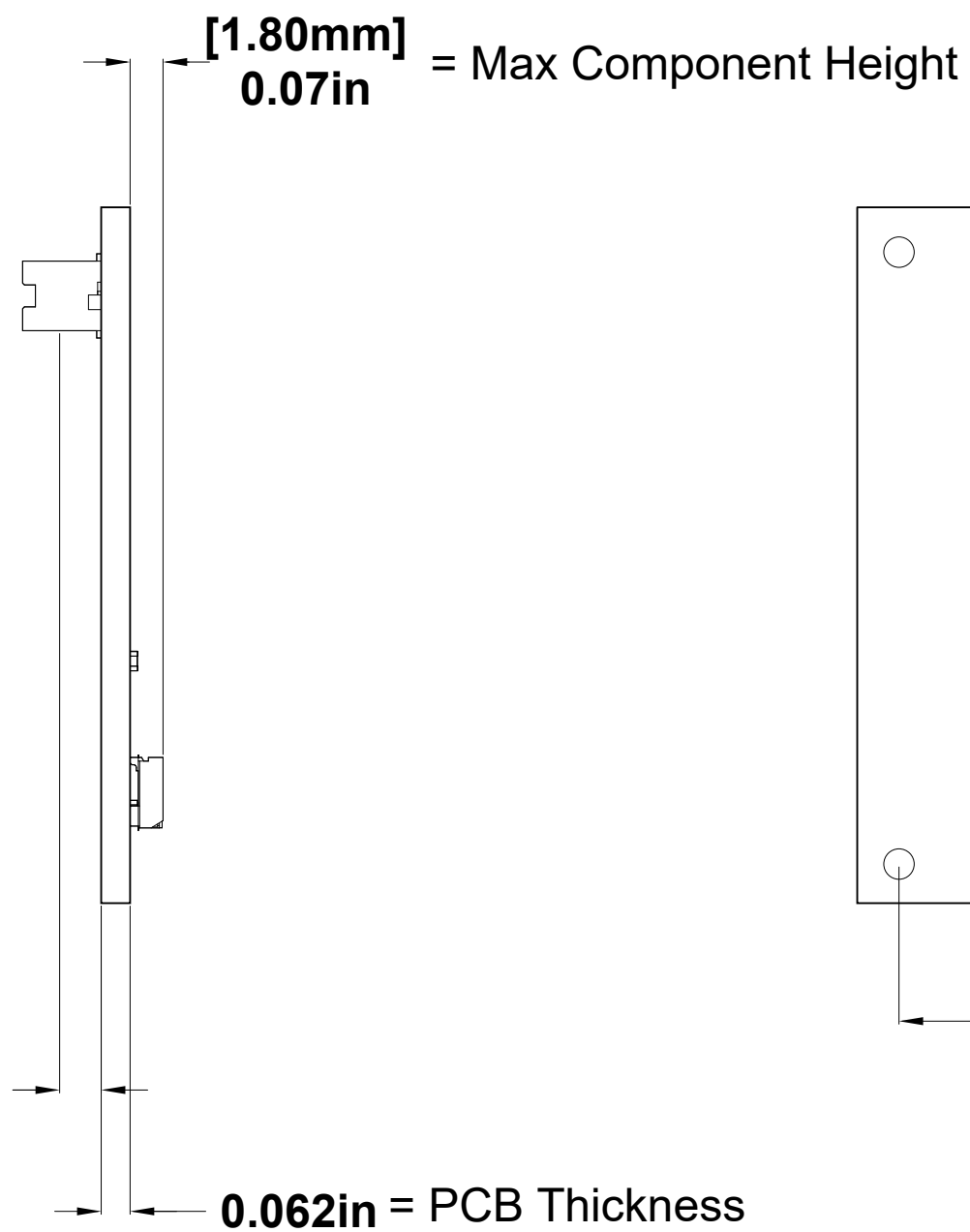
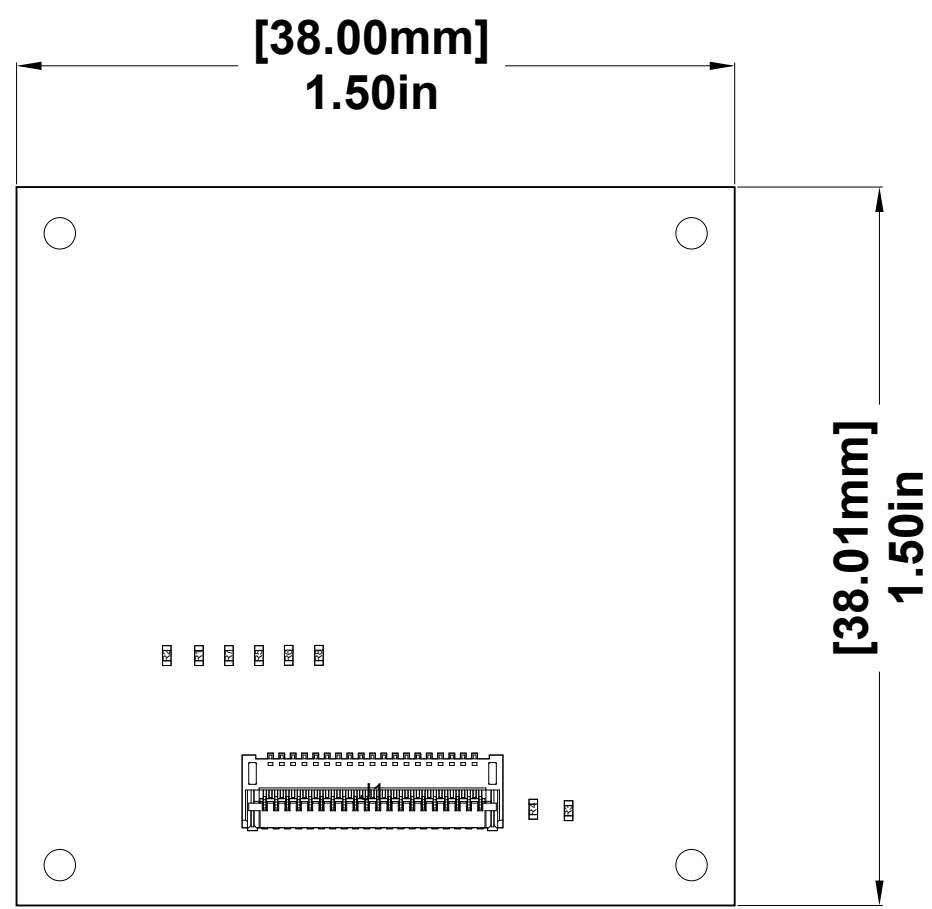
B

C

D

E

F



[Ø1.702mm±0.076]
Ø0.067in±0.003

J1: FPC cable connector

J9: Connector to TAU camera

UNLESS OTHERWISE SPECIFIED ALL DIMENSIONS IN INCHES
TOLERANCES ARE:

.XX +/- .01
.XXX +/- .005

DIMENSION DRAWING



PART NUMBER: SLA-FPC-TAU
 COMPANY NAME: SIGHTLINE APPLICATIONS INC.
 HARDWARE REV: B
 DWG REVISION: B
 DRAWN BY: W. Howland
 DATE: 5/27/2021
 SIZE: ANSI C

A

B

C

D

E

F