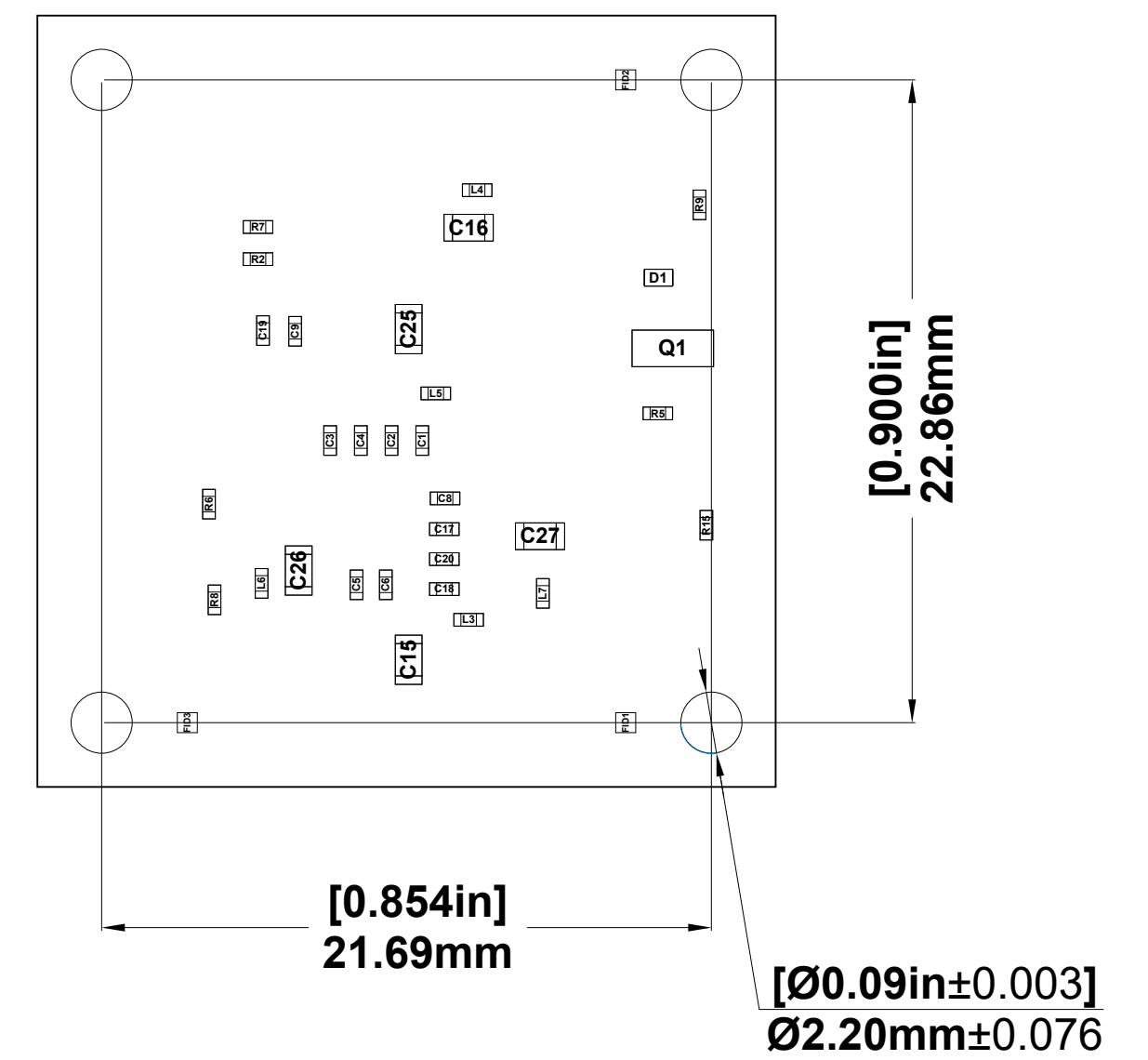
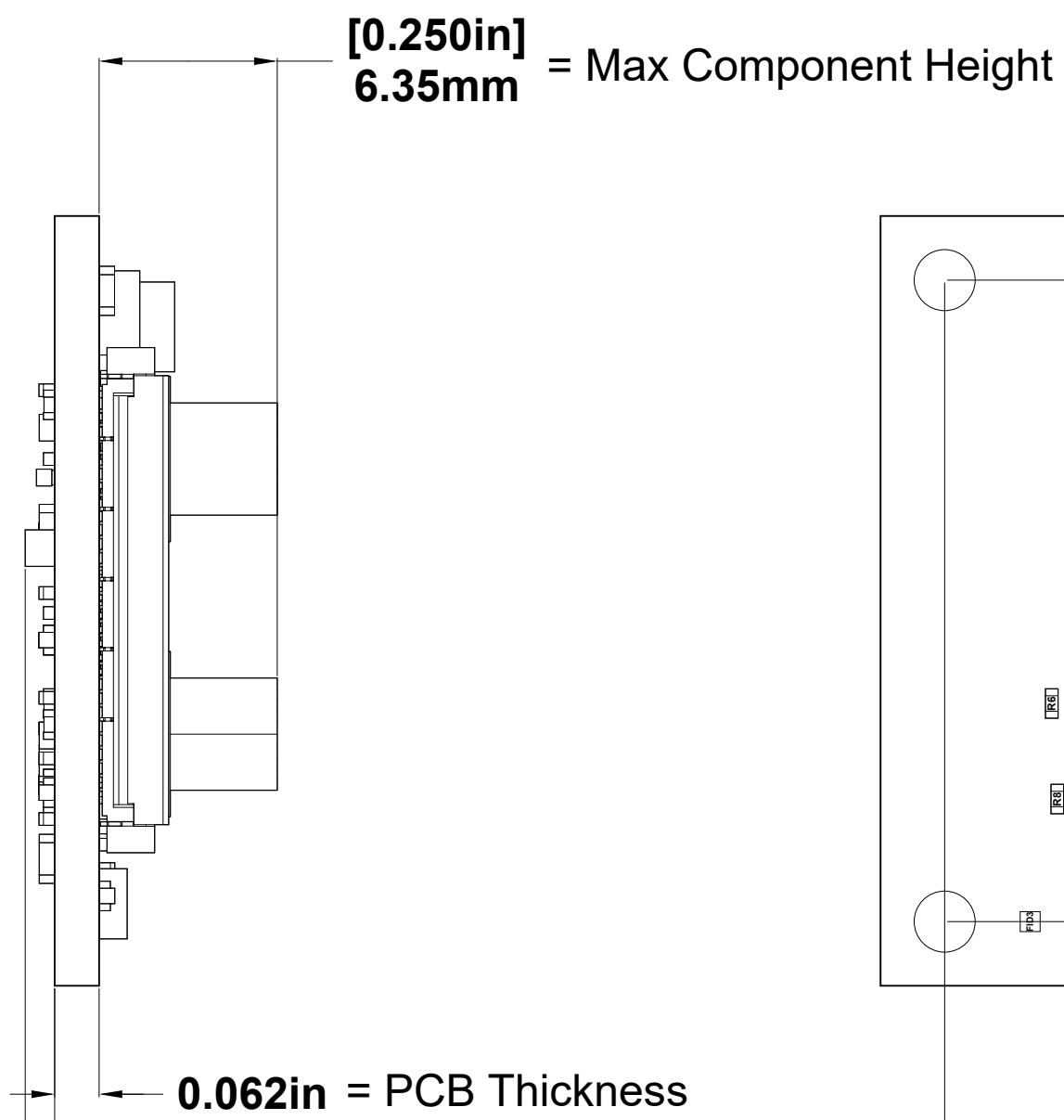
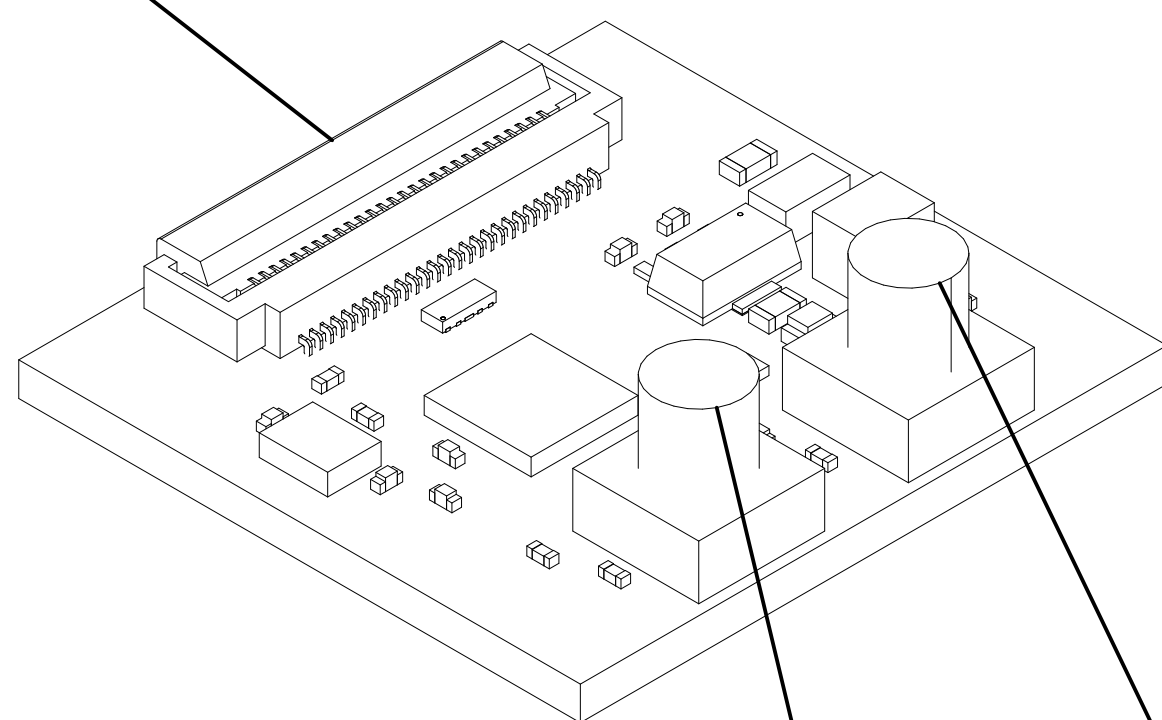


Max Component Height = [0.041in]
1.05mm

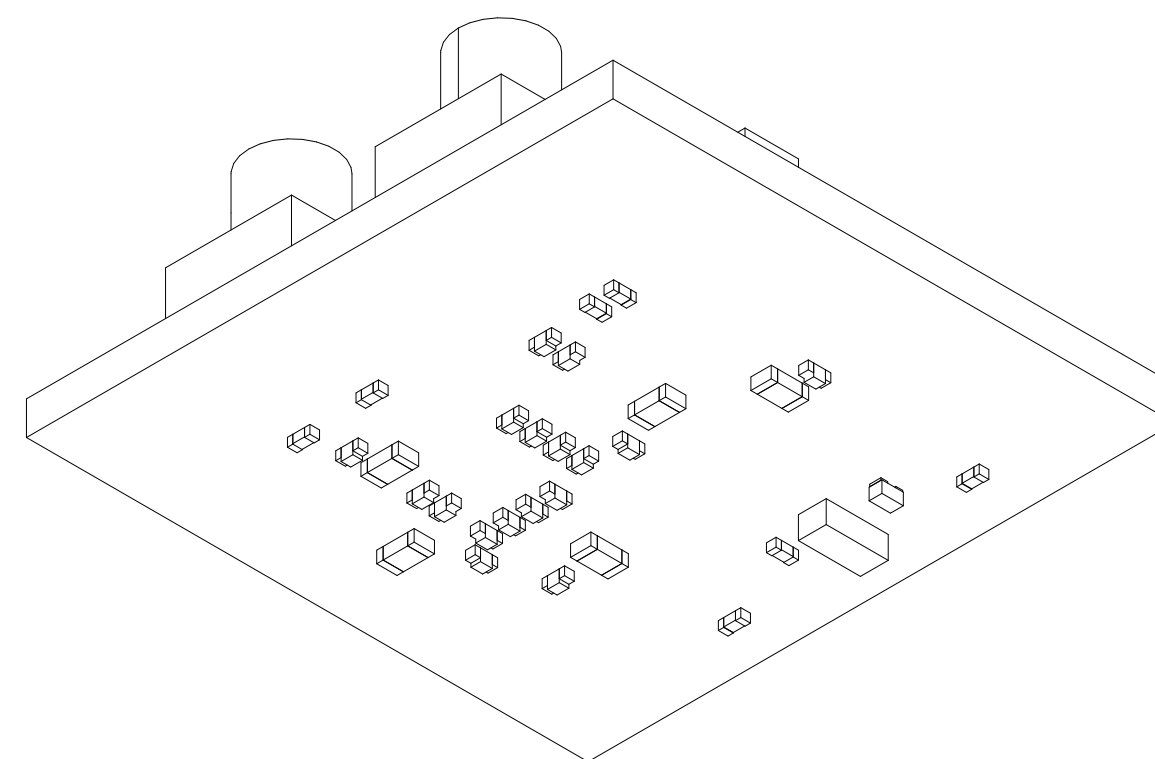


J1: FPC MIPI
CONNECTOR



J3: ANALOG
INPUT 0 (MCX)

J5: ANALOG
INPUT 1 (MCX)



UNLESS OTHERWISE SPECIFIED ALL DIMENSIONS IN INCHES
TOLERANCES ARE:

.XX +/- .01
.XXX +/- .005

DIMENSION DRAWING



PART NUMBER: SLA-MIPI-AB
COMPANY NAME: SIGHTLINE APPLICATIONS INC.
HARDWARE REV: C
DWG REVISION: C
DRAWN BY: WMH
SIZE: ANSI C