

A

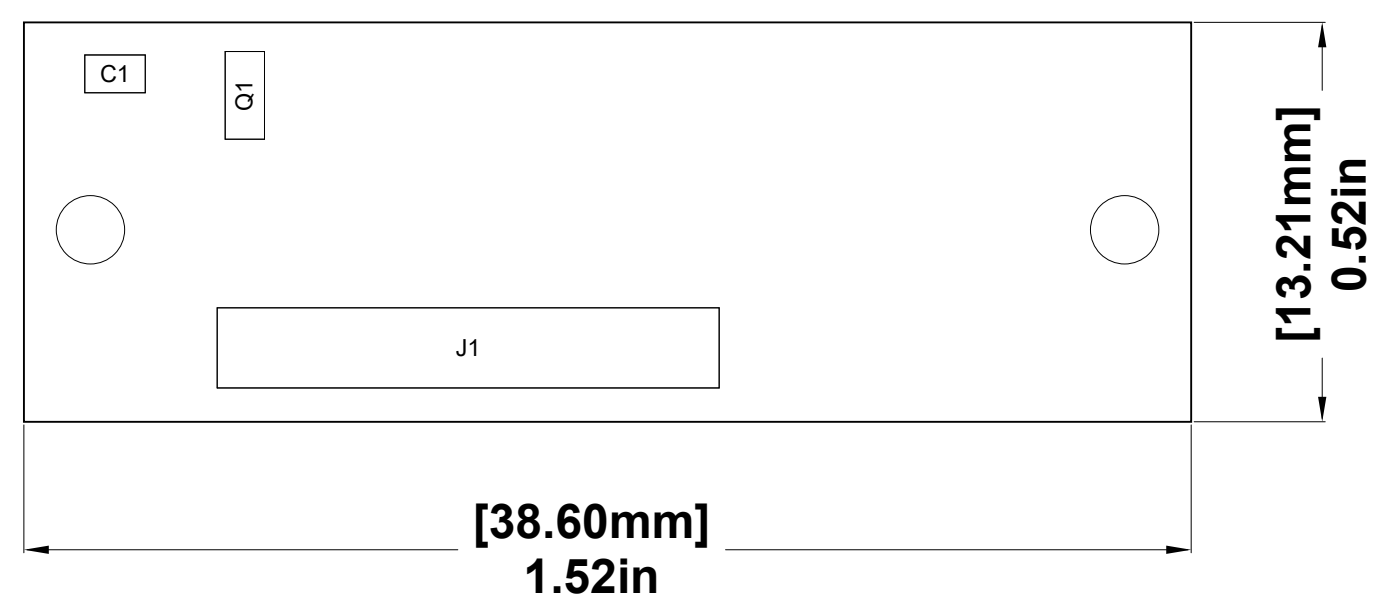
B

C

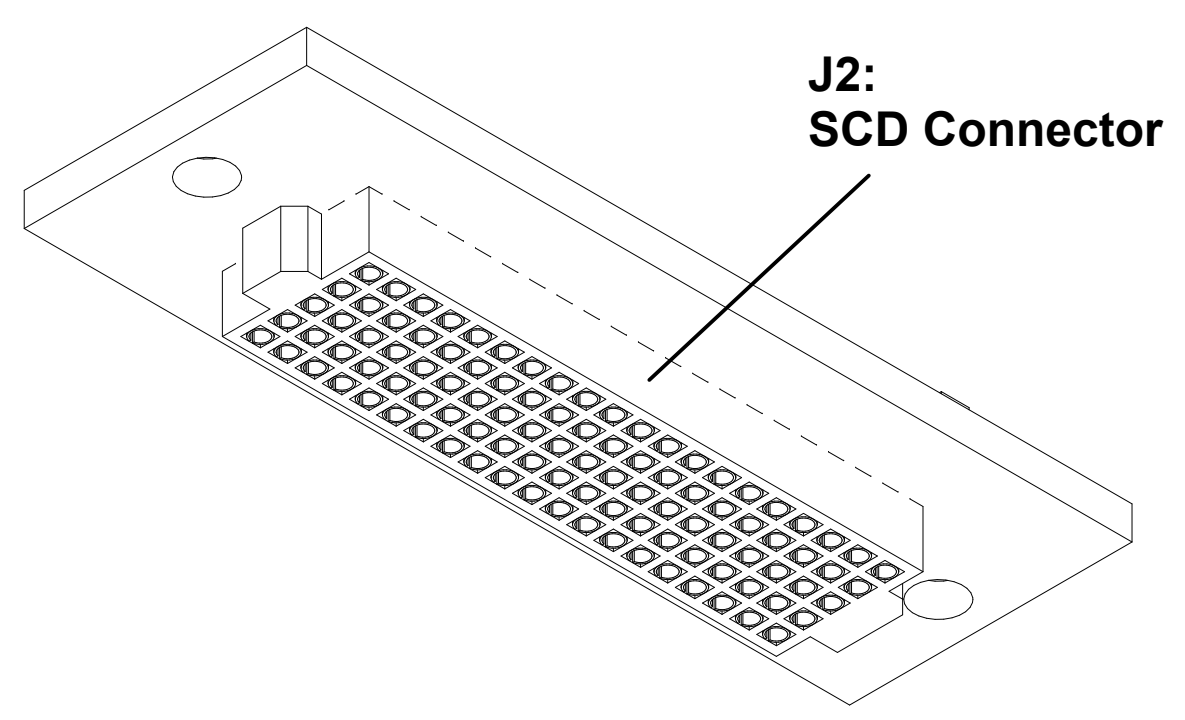
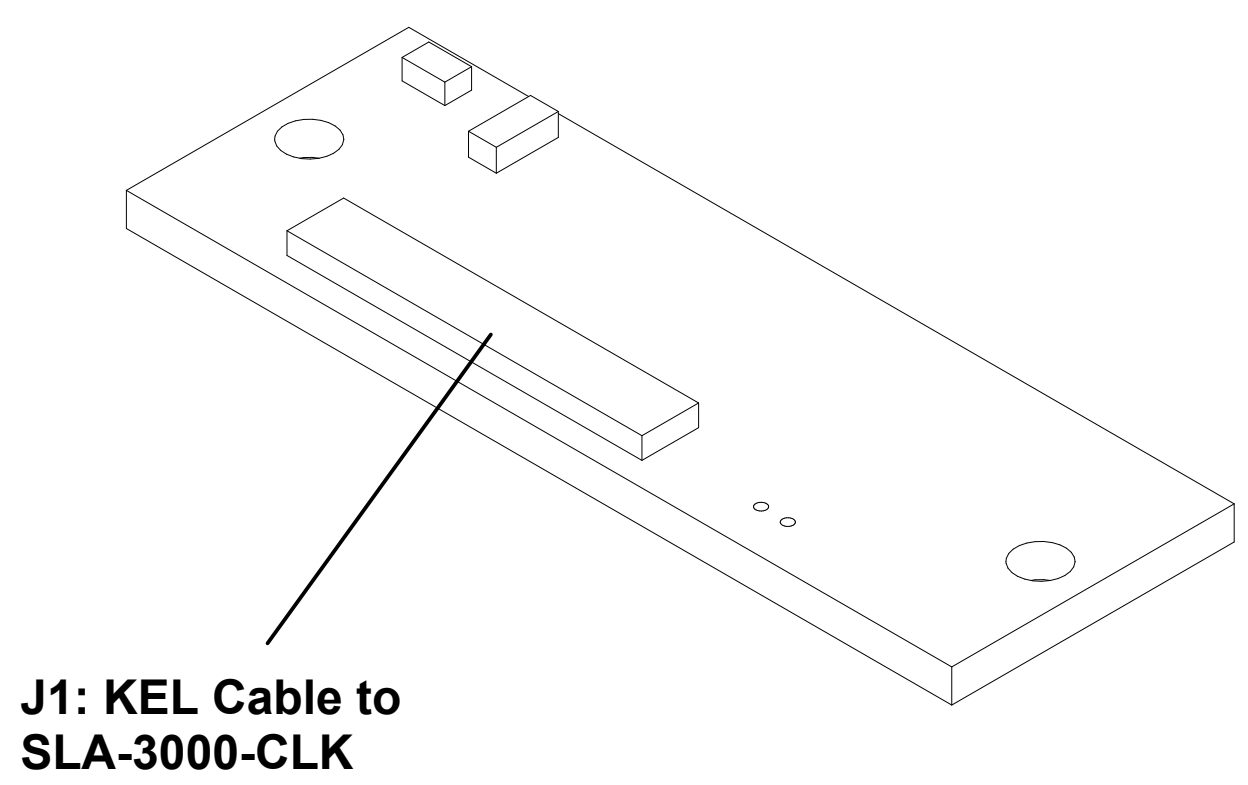
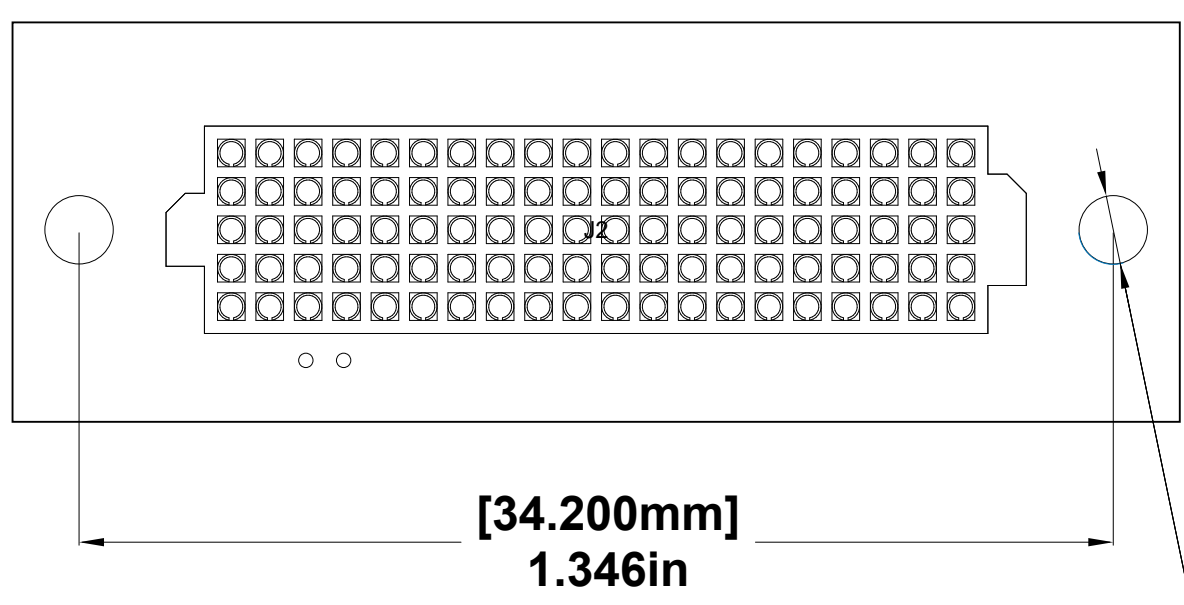
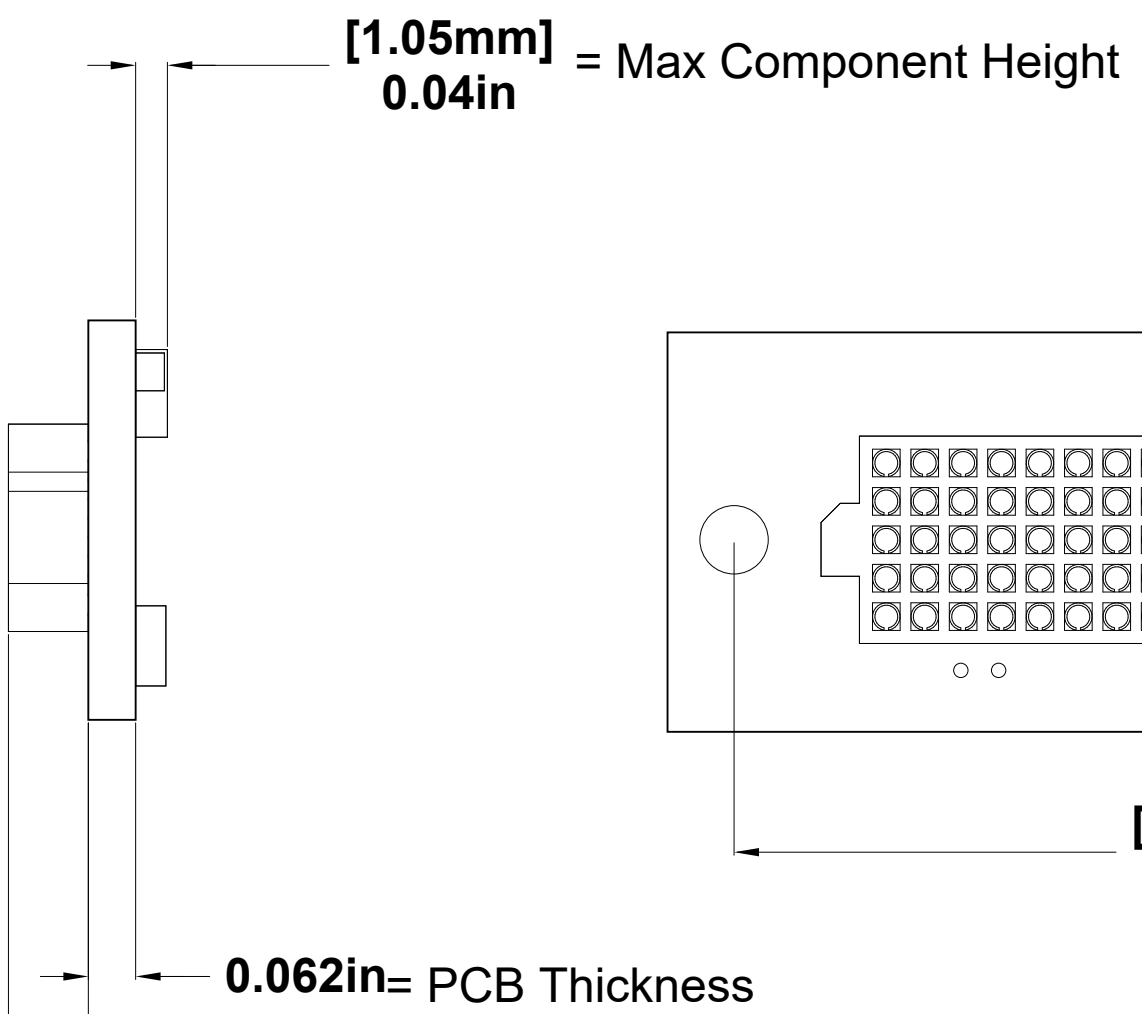
D

E

F



Max Component Height = $[2.64\text{mm}]$
0.10in



UNLESS OTHERWISE SPECIFIED ALL DIMENSIONS IN INCHES
TOLERANCES ARE:
.XX +/- .01
.XXX +/- .005

DIMENSION DRAWING		
PART NUMBER:	SLA-SCD-100	
COMPANY NAME:	SIGHTLINE APPLICATIONS INC.	
HARDWARE REV:	A2	
DWG REVISION:	A2	
DRAWN BY:	W. Howland	
SIZE: ANSI C		SHEET 1 OF 1