

A

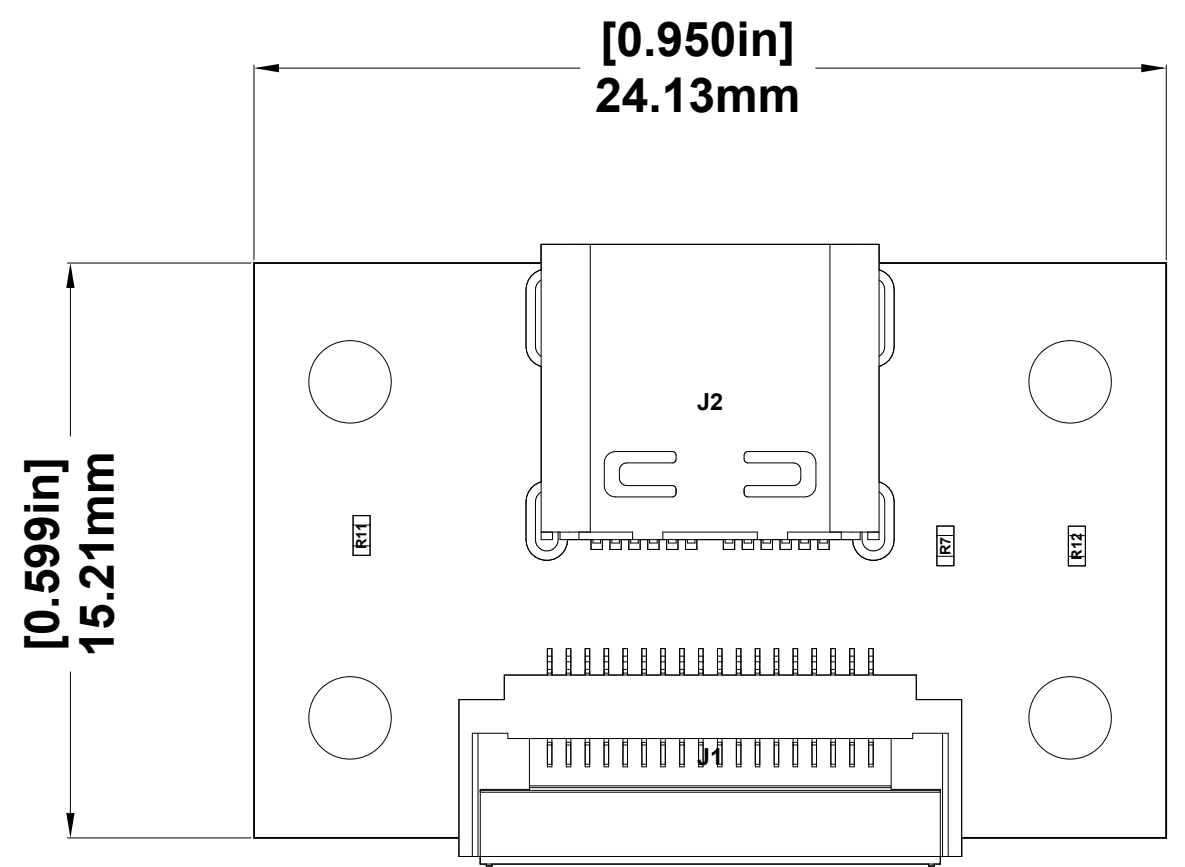
B

C

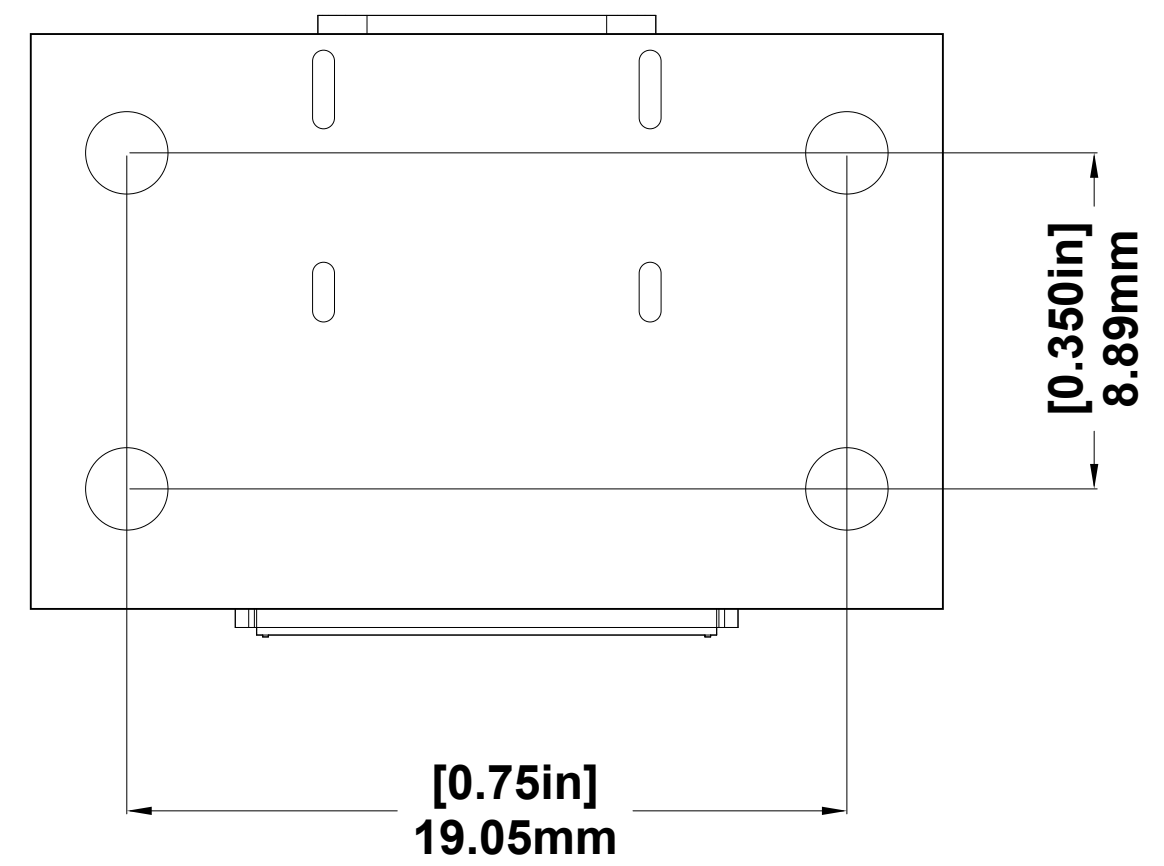
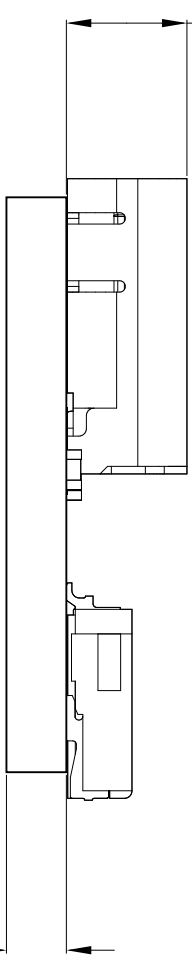
D

E

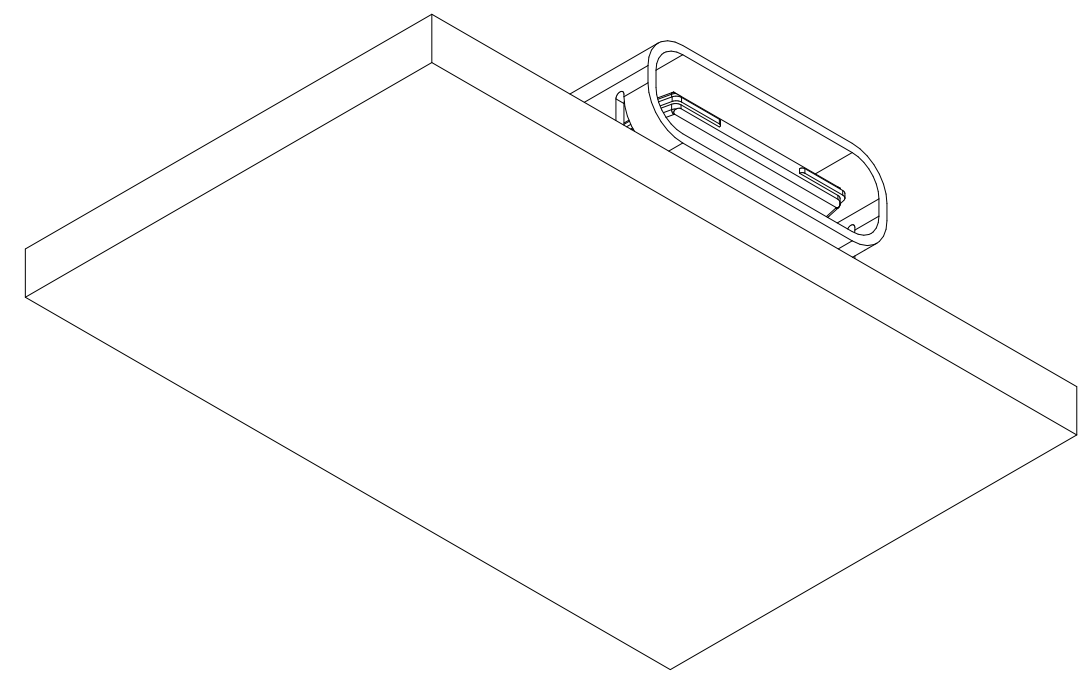
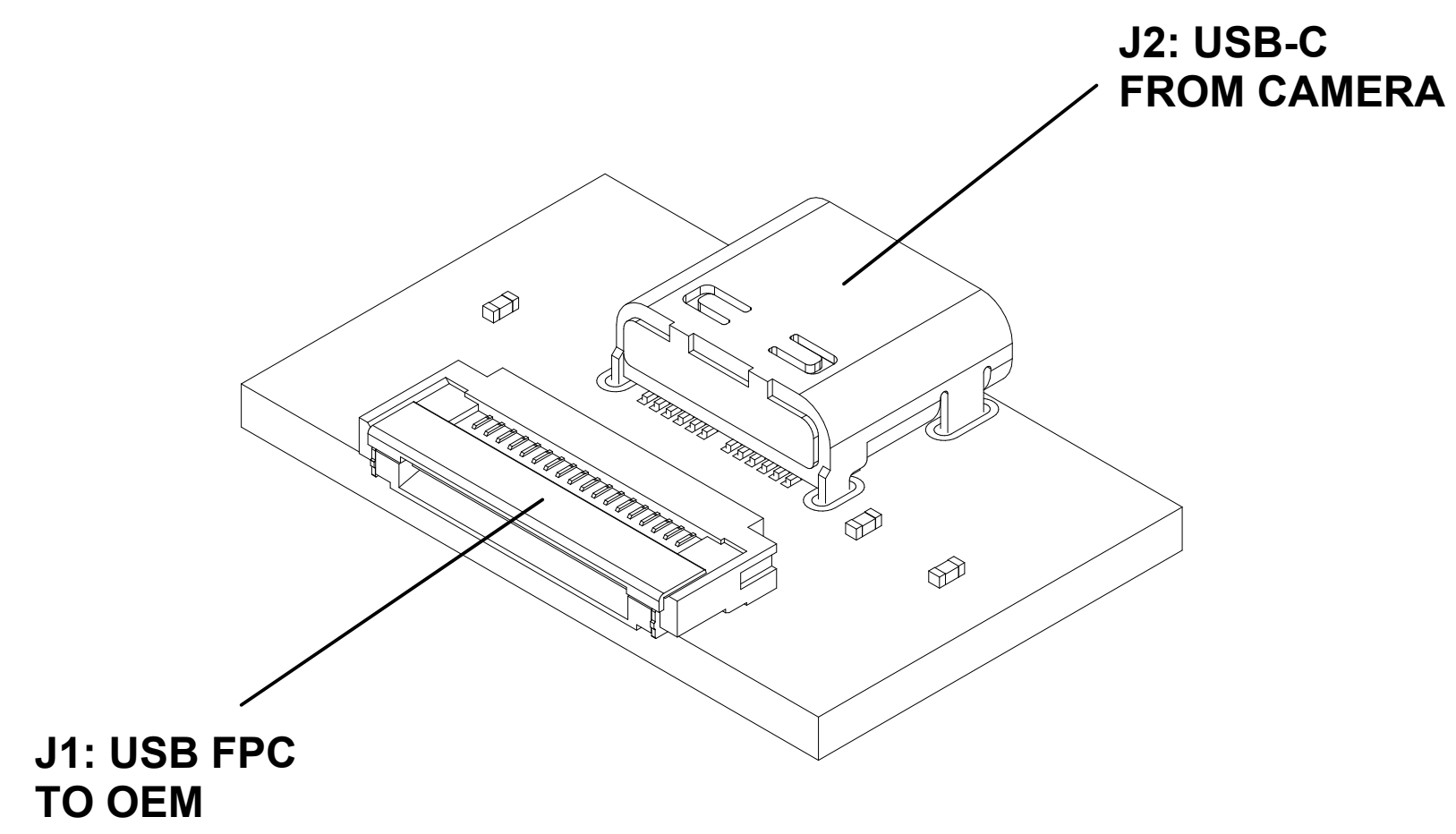
F



[0.126in]
3.19mm = Max Component Height



PCB Thickness = 0.062in



UNLESS OTHERWISE SPECIFIED ALL DIMENSIONS IN INCHES
TOLERANCES ARE:

.XX +/- .01
.XXX +/- .005

DIMENSION DRAWING		
PART NUMBER:	SLA-FPC-USB-C	
COMPANY NAME:	SIGHTLINE APPLICATIONS INC.	
HARDWARE REV:	B	
DWG REVISION:	B	
DRAWN BY:	WMH	
SIZE: ANSI C		SHEET 1 OF 1

A

B

C

D

E

F